

BIKE
SHELTER



VERNON Shelter

+ FEATURES

- Unique and modern shape
- High robustness
- Vandal-resistant
- Unobtrusive landscape integration
- Available lengths: 4, 8 and 12 m

▾ OPTIONS

- Lighting
- Litter bin
- Bike racks
- E-bike charging points

One-sided

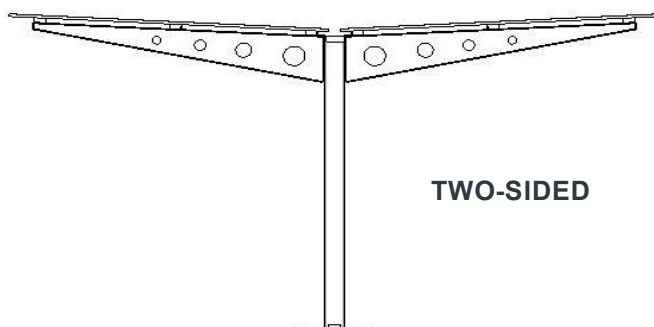


Two-sided

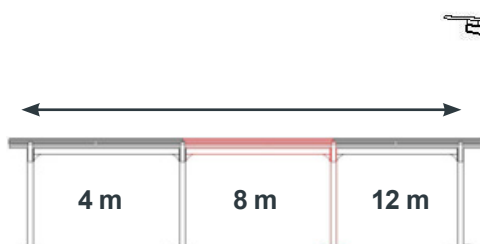




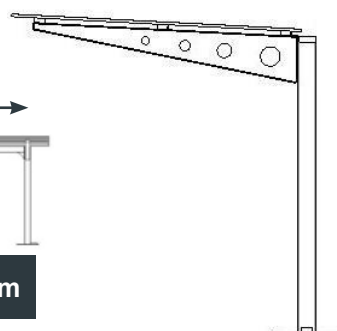
VERNON Shelter



TWO-SIDED



Available lengths: 4m, 8m and 12m



ONE-SIDED

SINGLE TWO-SIDED SHELTER

Length : 4,00 m
Width : 4,50 m
Height : 2,45 m



SINGLE ONE-SIDED SHELTER

Length : 4,00 m
Width : 2,50 m
Height : 2,45 m



Bike racks not included.

5-year warranty, except in case of vandalism, accident or storm (wind > 130km/h)

CONSTRUCTION

- Galvanized steel tube frame
- 140x140x3mm square posts
- 140x140x3mm central crossbar
- Roof crossbar made of 80x40x3mm steel tubes
- Gutters capturing stormwater in the posts
- Welded beams, 8 mm thick
- Screws made of class-A2 stainless steel

ROOF

- Anti-UV treated alveolar polycarbonate, 16mm thick.

FINISH

- Polyester thermosetting paint, heated at 200°C, UV-resistant.
- Colour to be chosen within the RAL colour chart

CAUTION

- This shelter does not include adjustable feet. To enable the mounting of the shelter, the floor must be perfectly flat and on the level ground.
The shelter must be mounted on concrete blocks

FIXING

- Pre-assembled anchoring devices that must be integrated in 700x700x700mm concrete blocks.

Other possible dimensions. For any quotation or information request : +33 240 325 160

abri-plus.com

31, rue de l'Industrie ■ B.P.38 ■ 44310 St-Philbert-de-Grand-Lieu ■ France
Tél : 02 40 78 08 08 ■ Email : info@abri-plus.com

abriplus