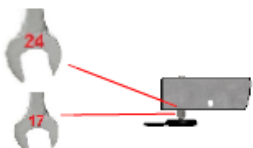
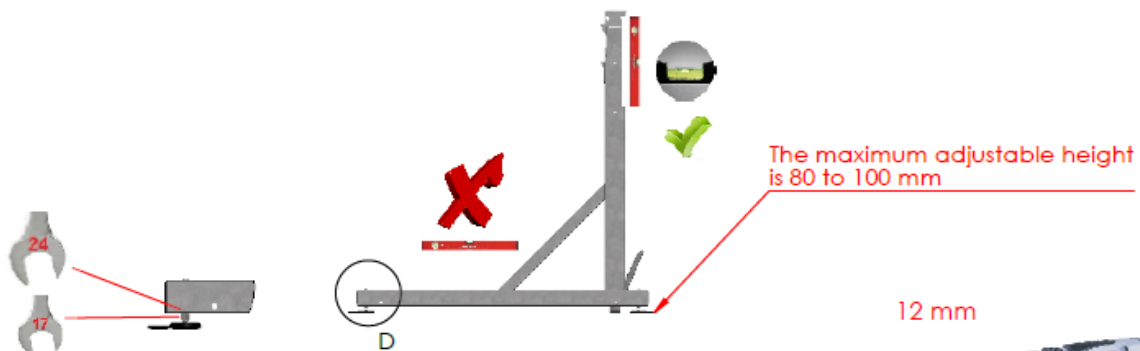
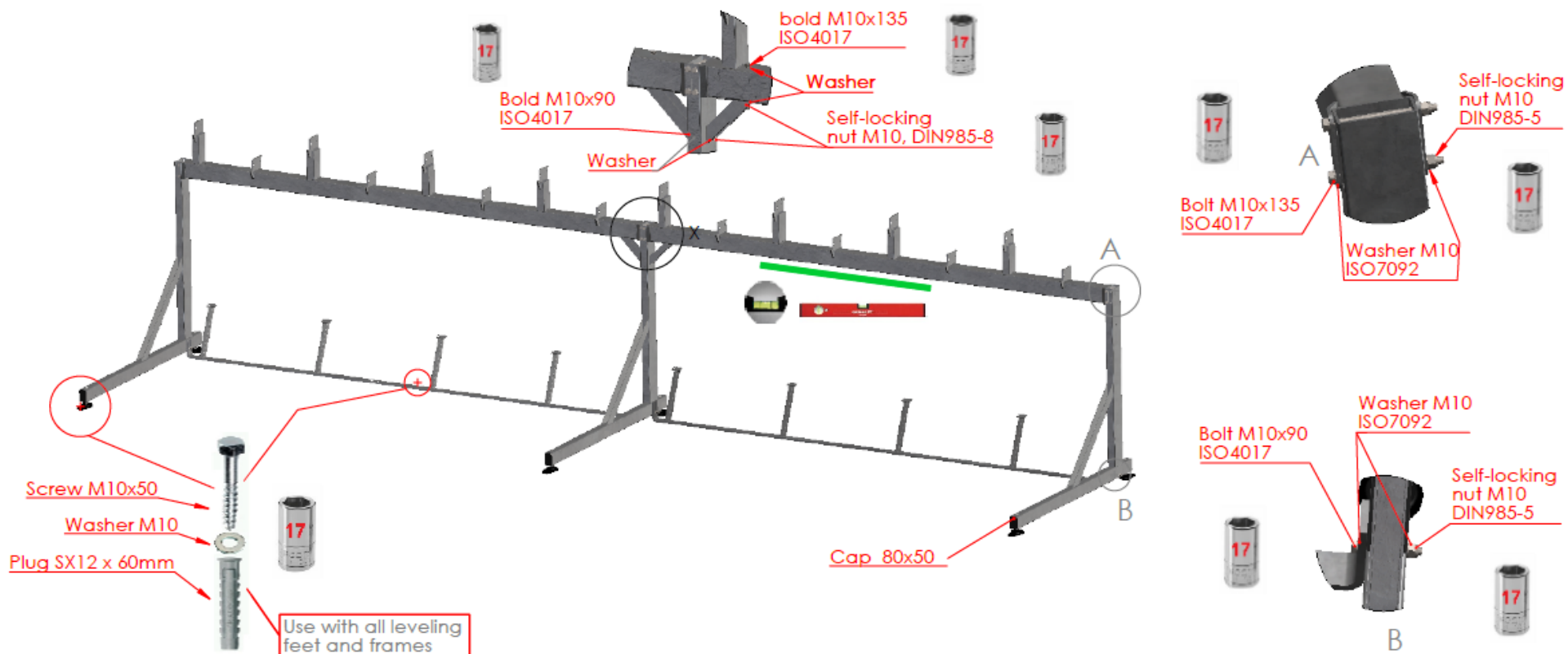
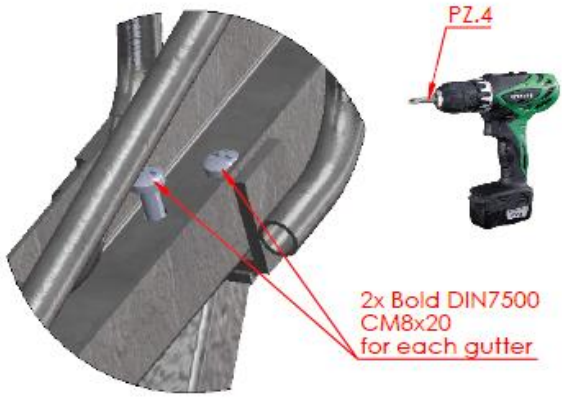
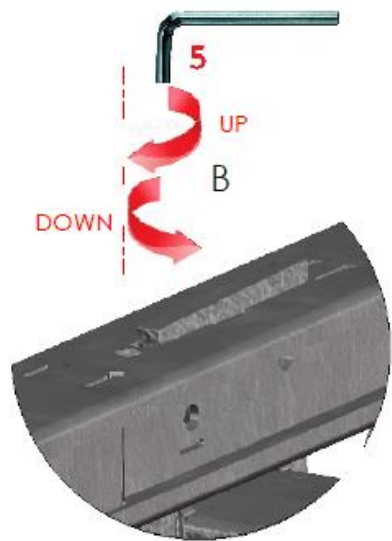
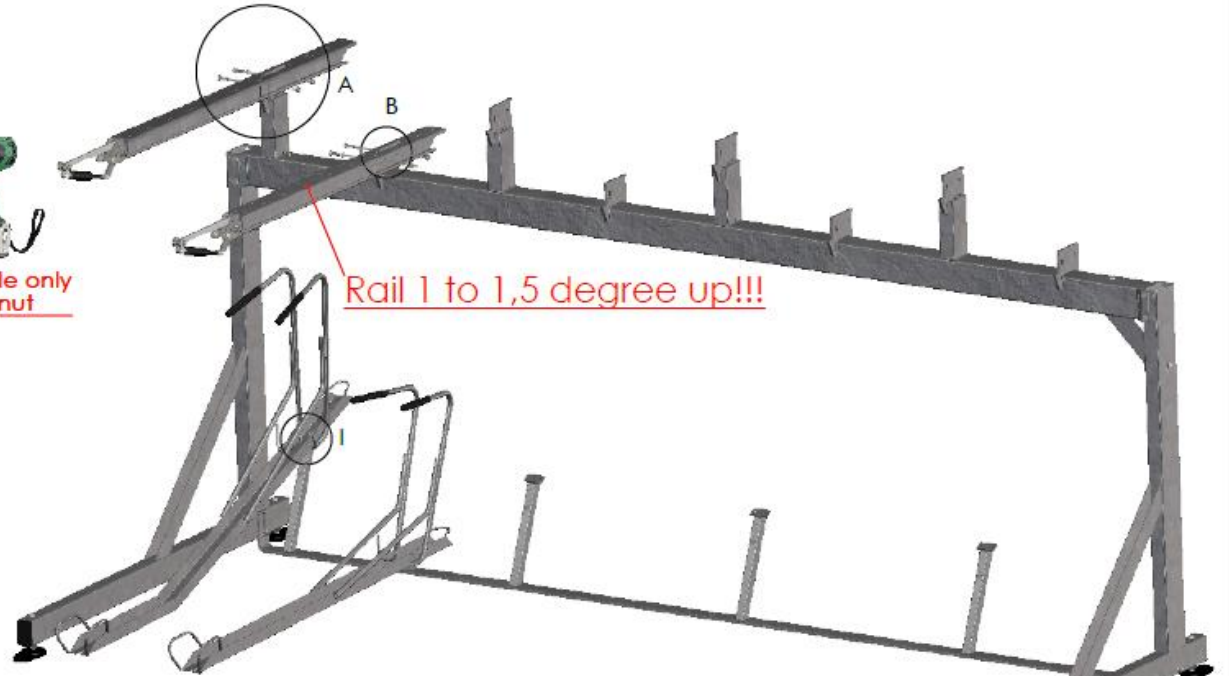
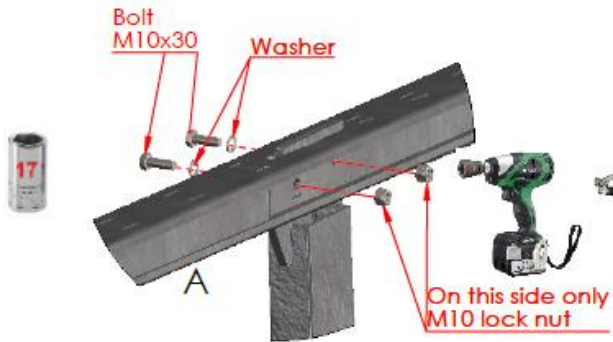


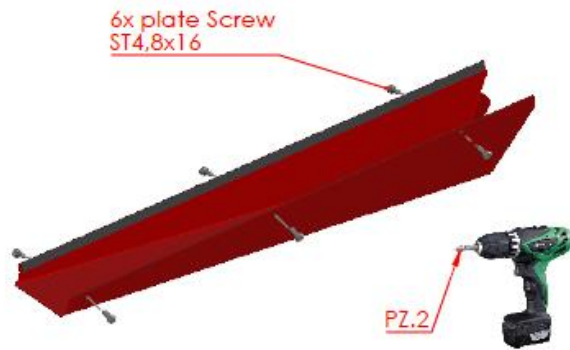
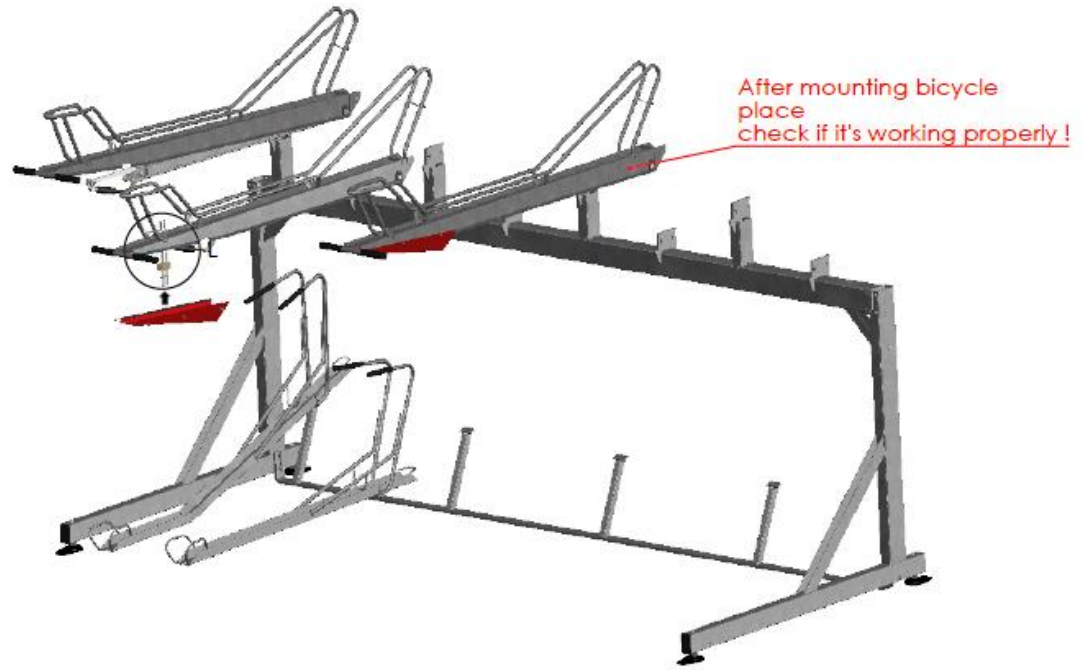
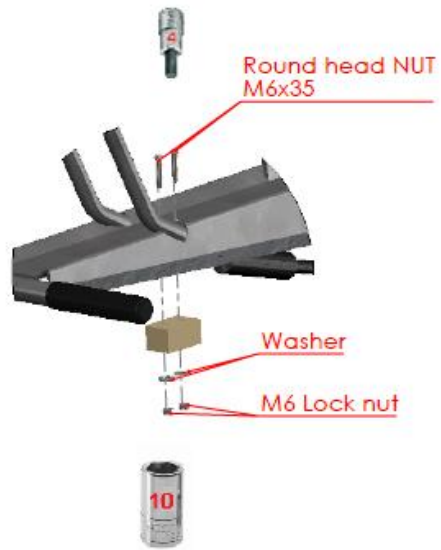


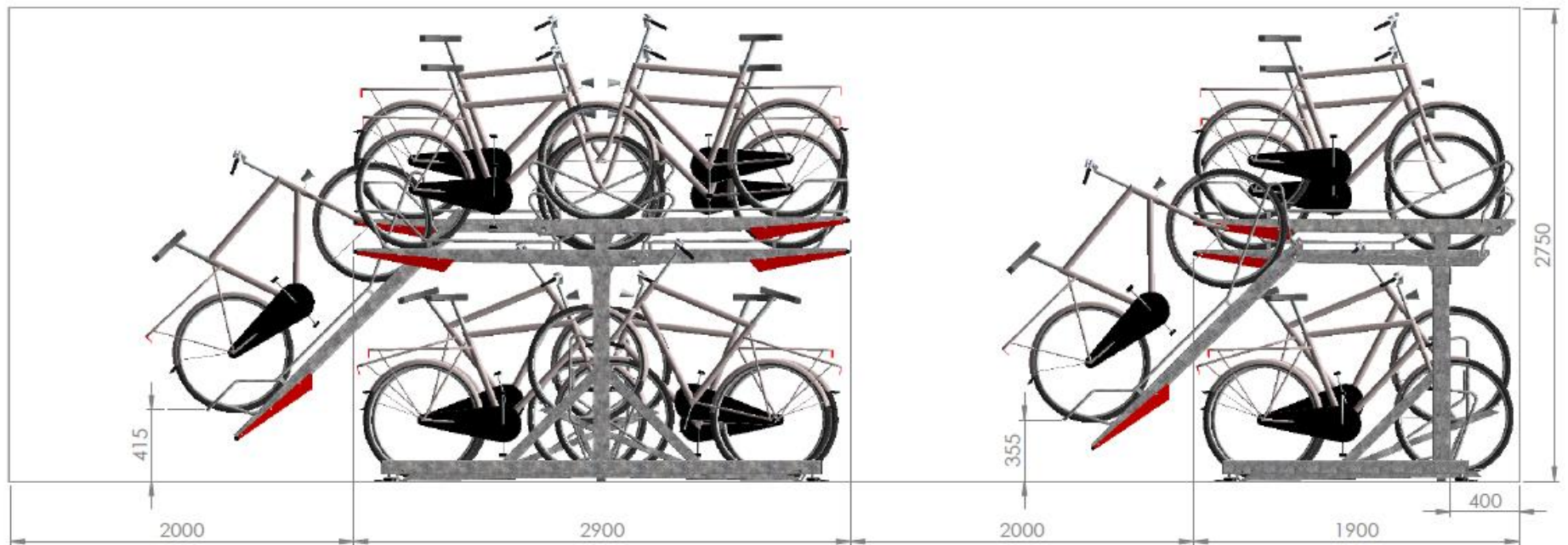
# MANUAL 2ParkUp frame



Manual per  
bicycle place  
AWB high & low

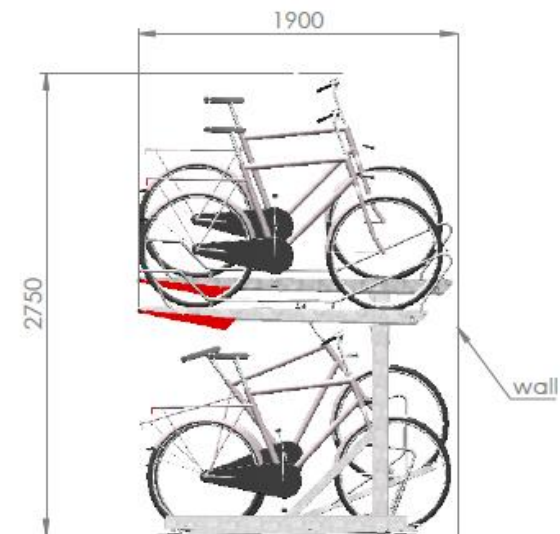
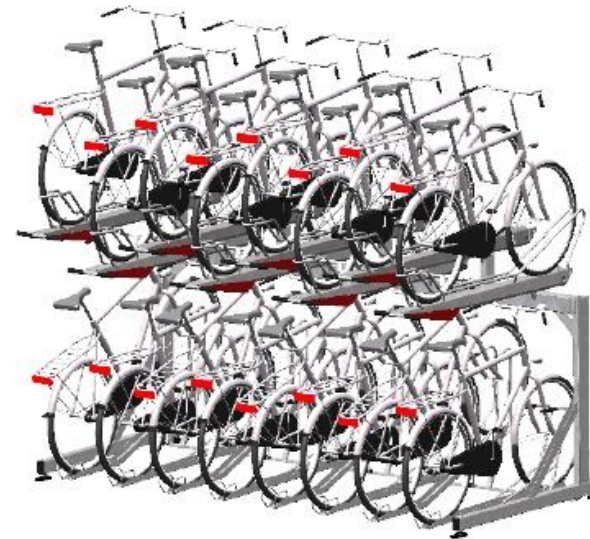
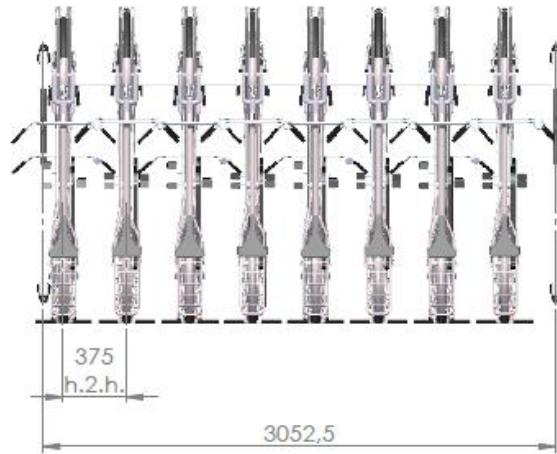






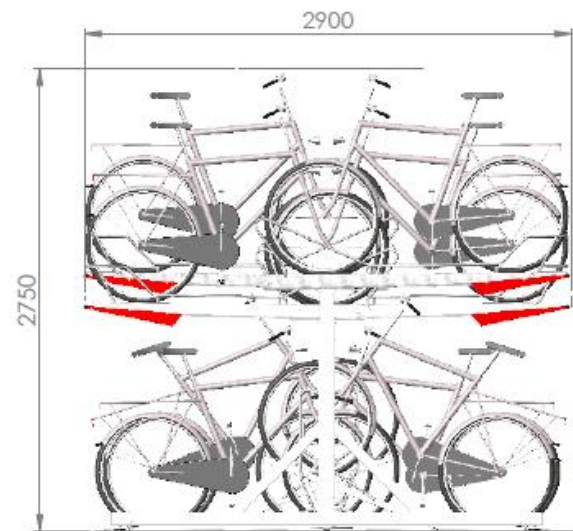
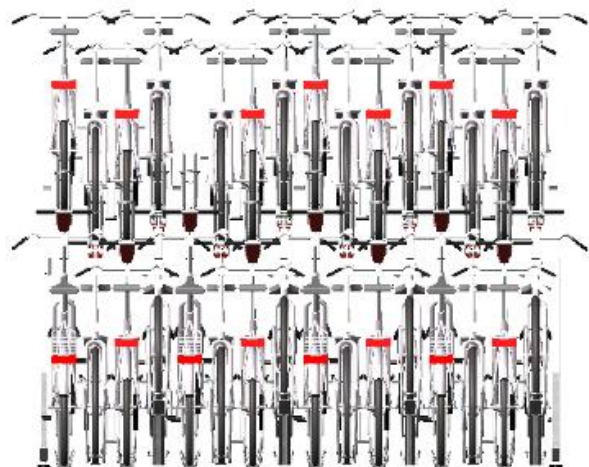
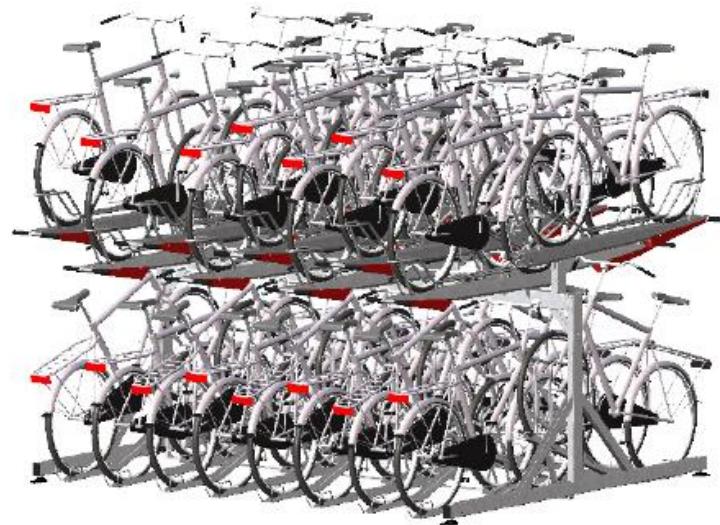
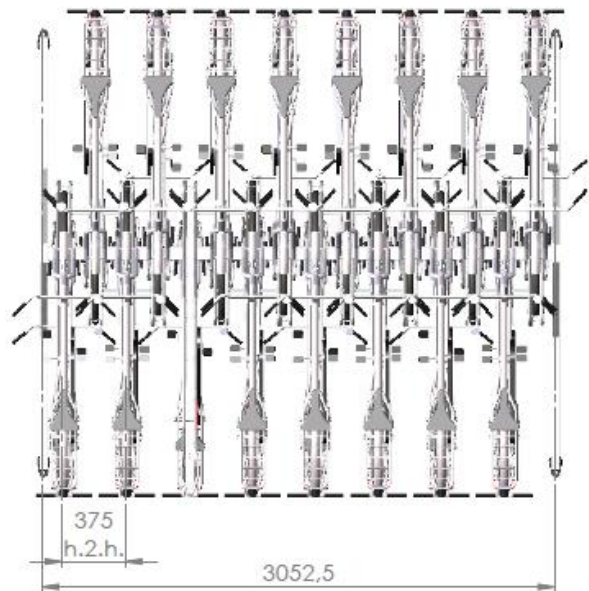
2ParkUp AWB Side view

(maten in mm)



2ParkUp AWB, h.2.h. 375 16 bp single-sided

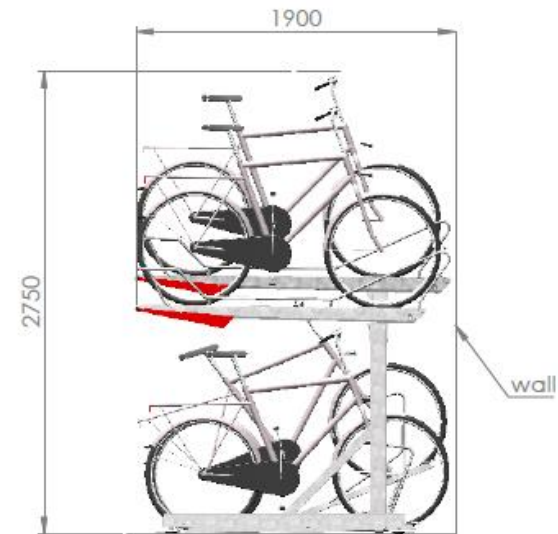
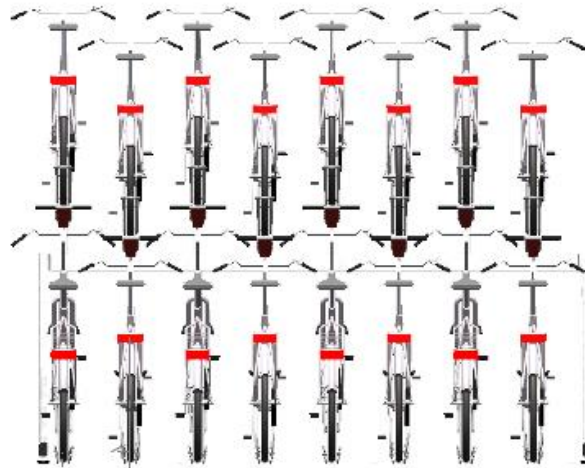
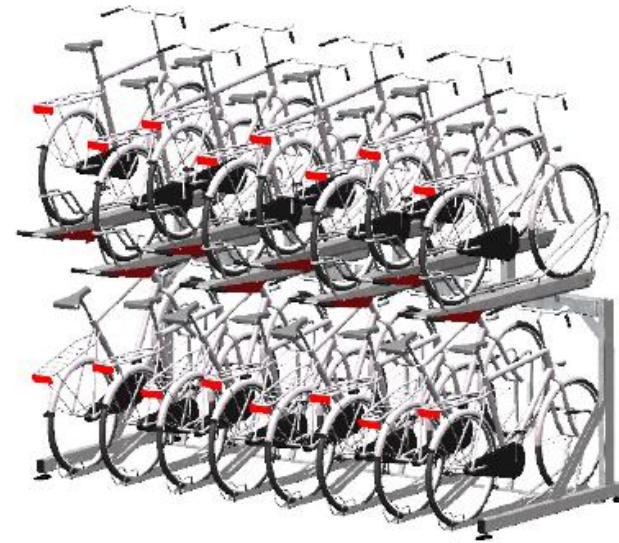
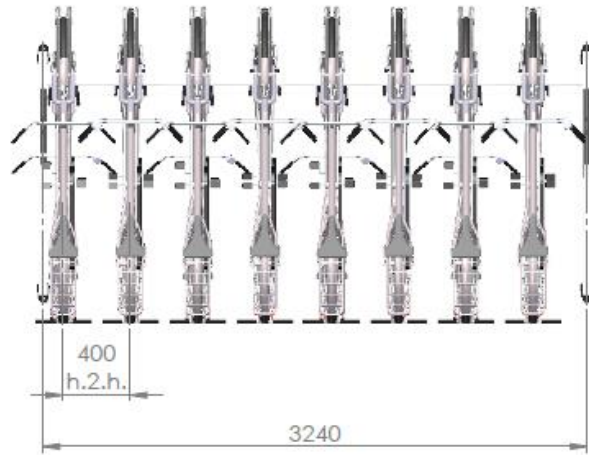
(measurements in mm)



2ParkUp AWB, h.2.h. 375 32 bp double-sided

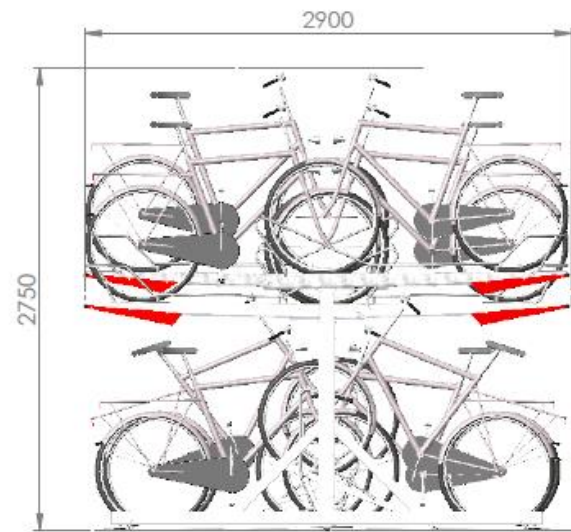
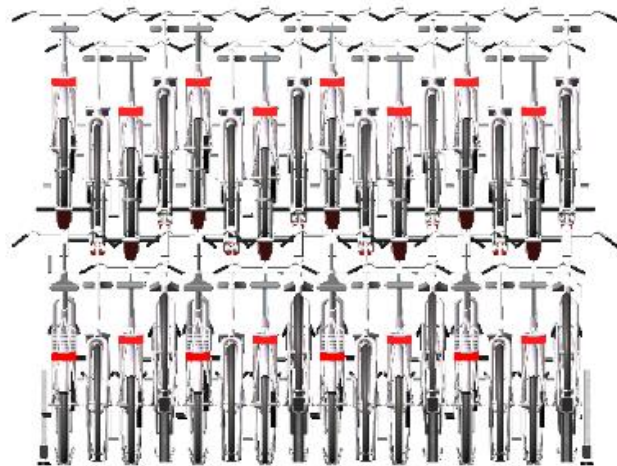
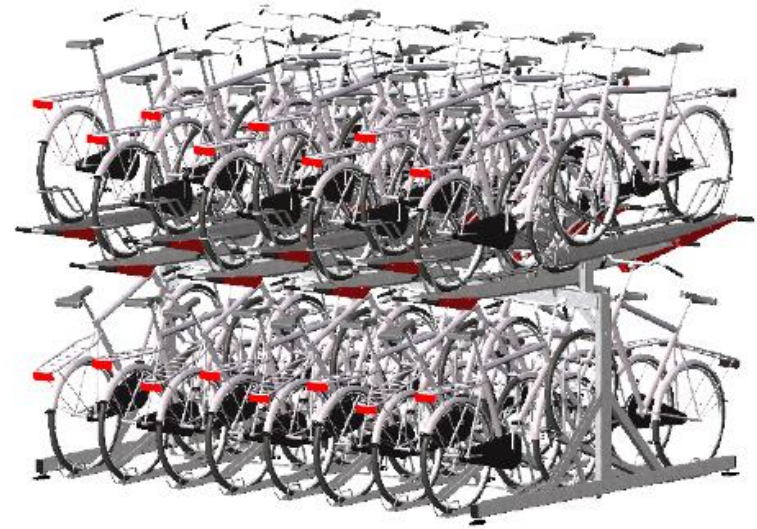
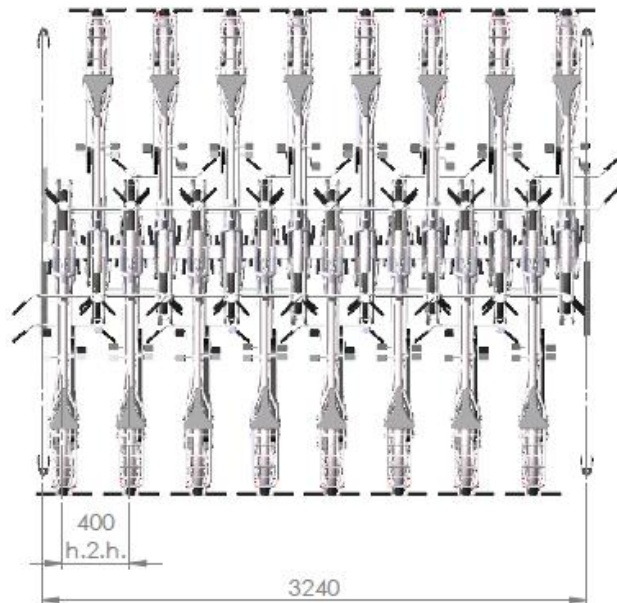
(measurements in mm)





2ParkUp AWB, h.2.h. 400 16 bp single-sided

(measurements in mm)



2ParkUp AWB, h.2.h. 400 32 bp double-sided

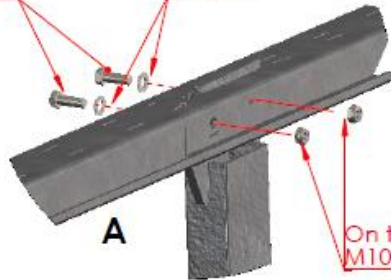
(measurements in mm)

Manual per  
bicycle place  
VVB high & low

# 1

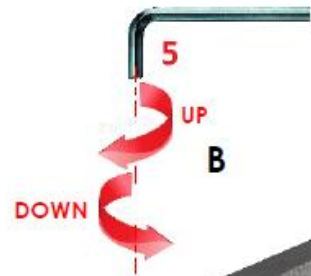
Bolt  
M10x30

Washer



A

On this side only  
M10 lock nut

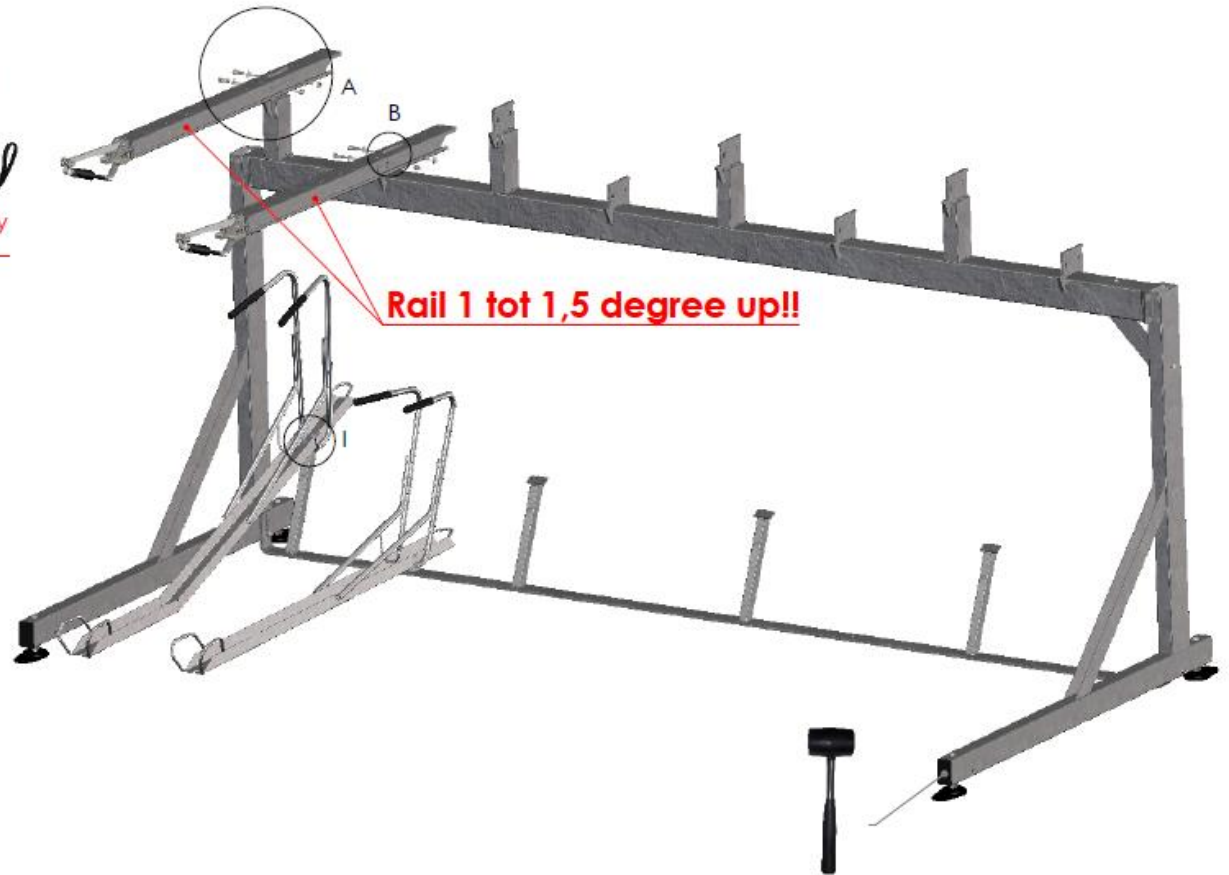


DOWN

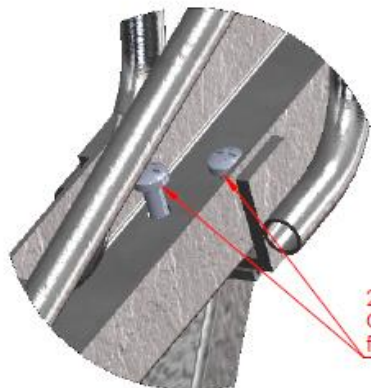
5

UP

B



**Rail 1 tot 1,5 degree up!!**



PZ.4



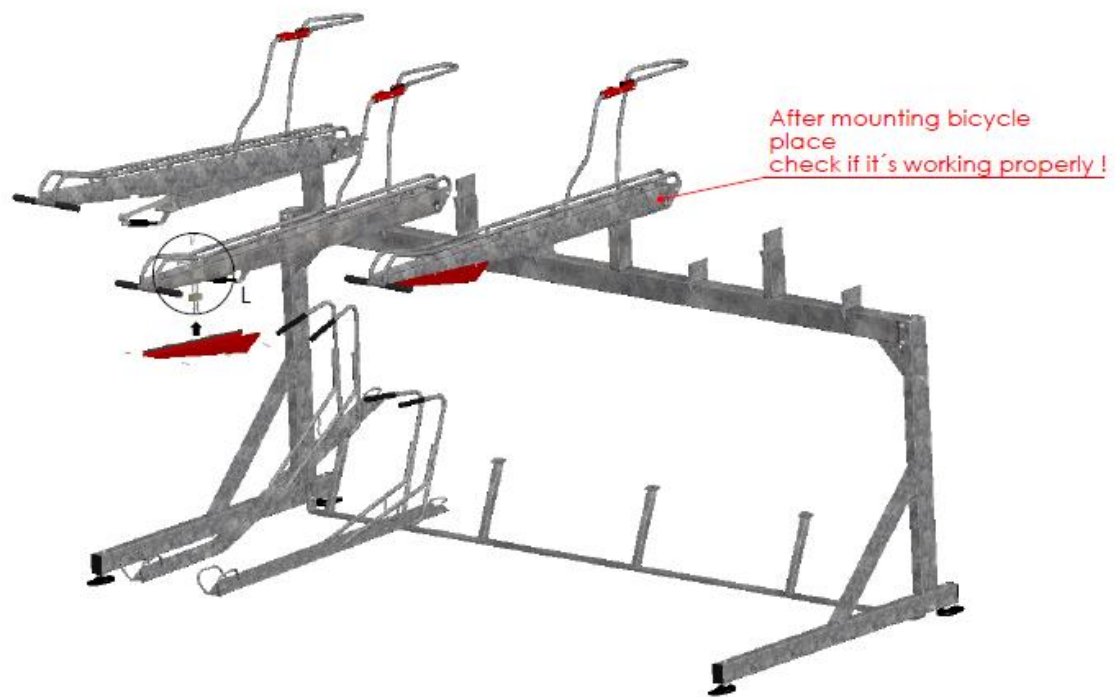
2x Bolt DIN7500  
CM8x20  
for each gutter



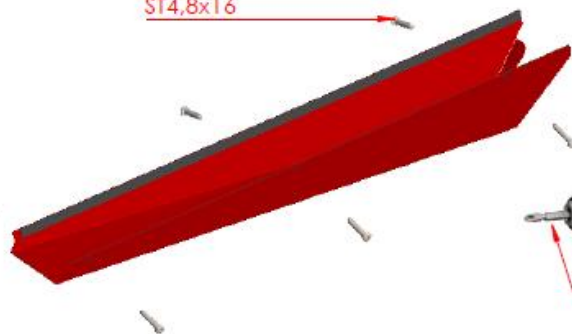
5

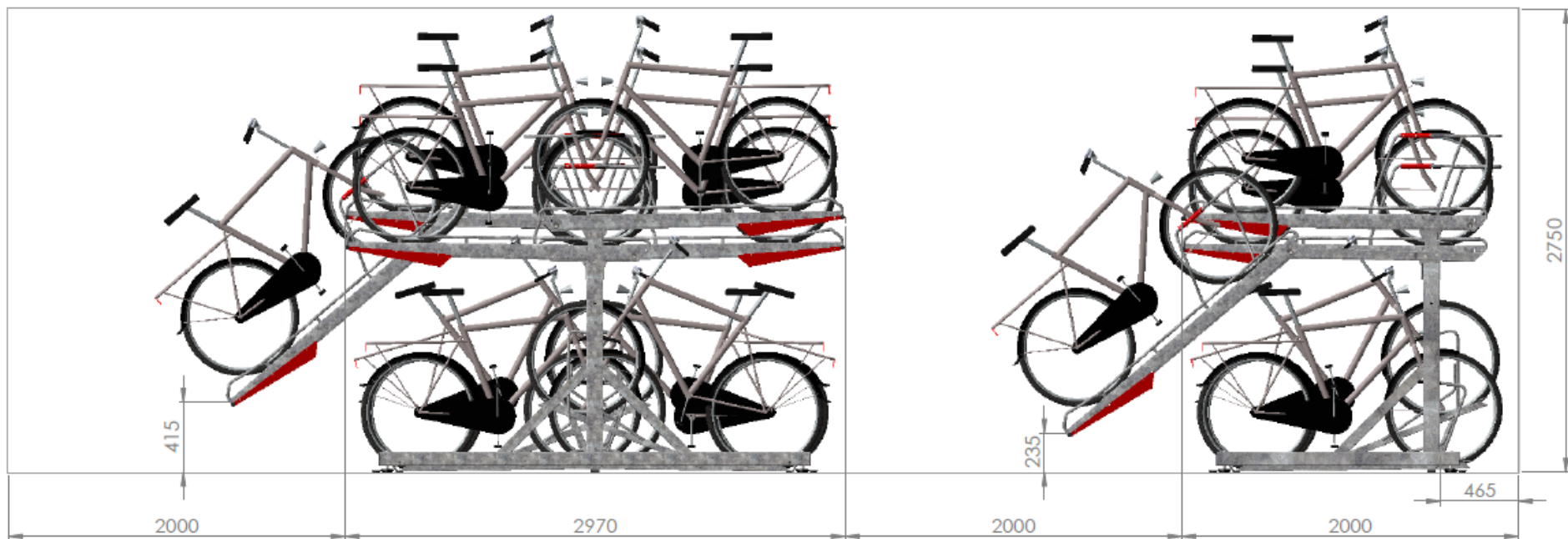
17

# 2



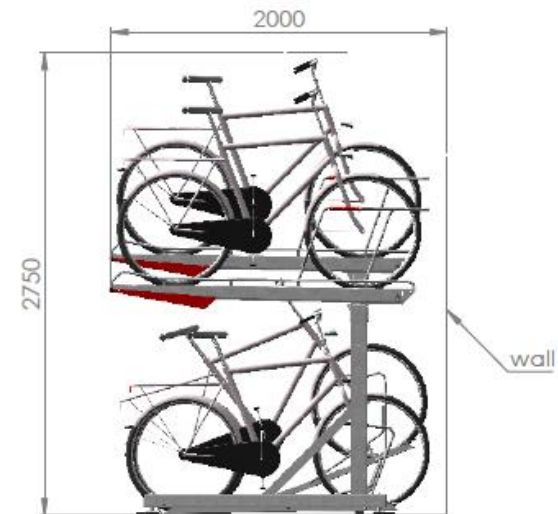
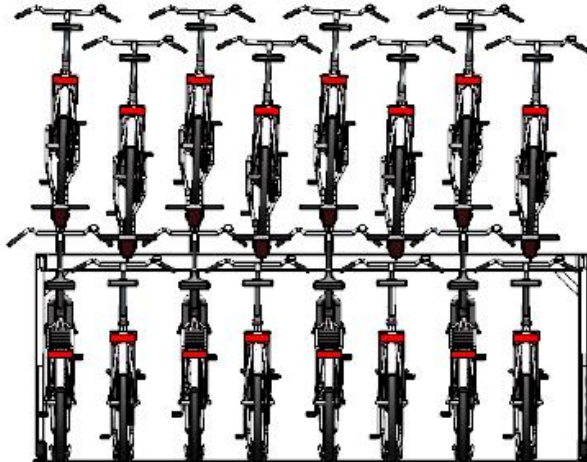
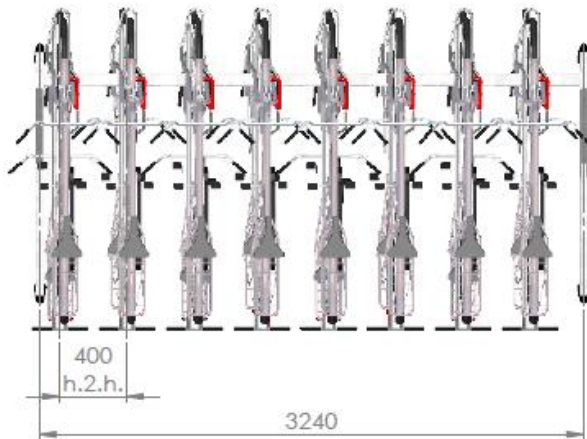
6 x plate Screw  
ST4,8x16





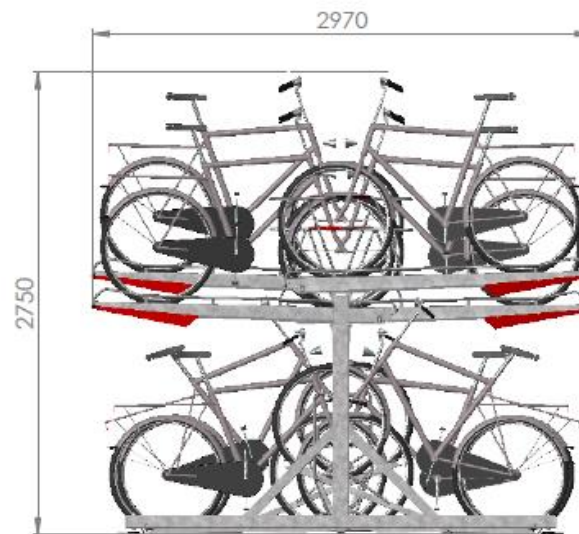
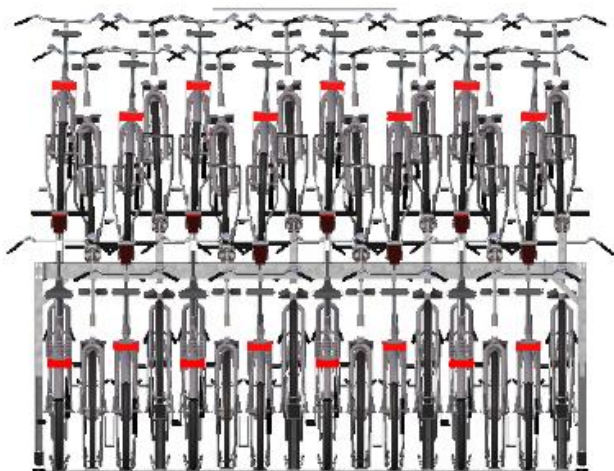
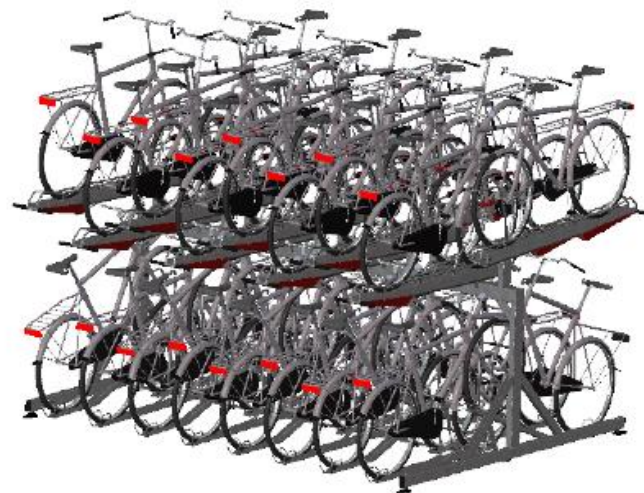
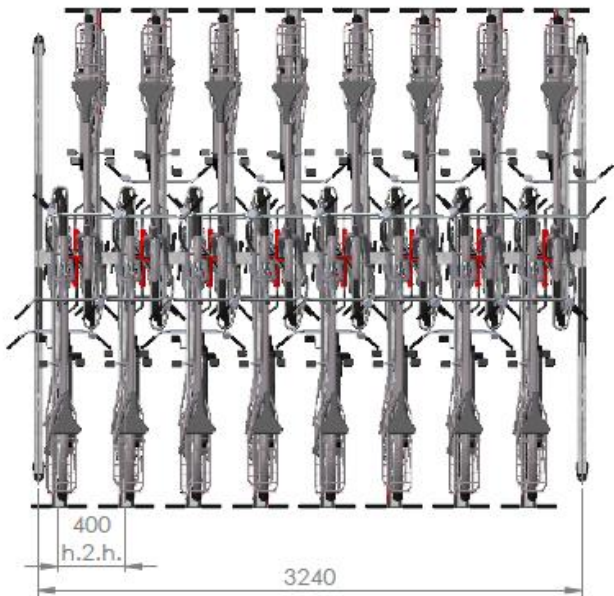
2ParkUp VVB Side View

(measurements in mm)



2ParkUp VVB, h.2.h. 400 16 bp single-sided

(measurements in mm)



2ParkUp VVB, h.2.h. 400 32 bp double-sided

(measurements in mm)