



# VelowUp!

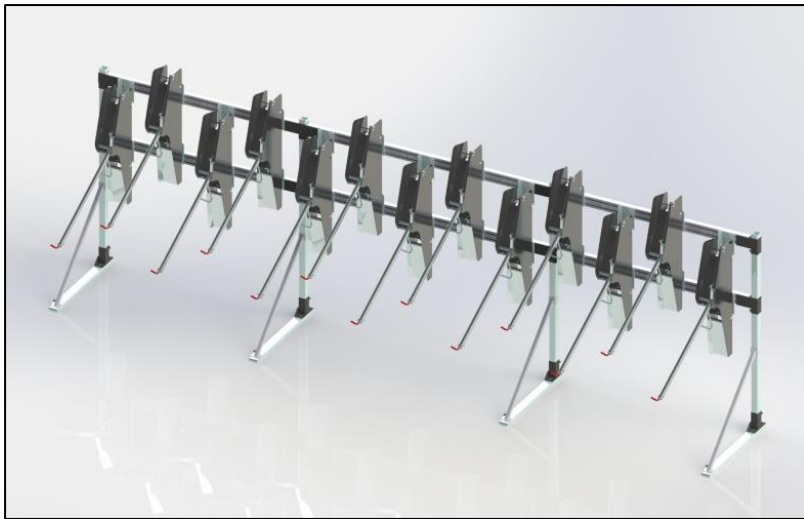
**Smart Bicycle Parking**

## **Manual Aluminium Profile System**

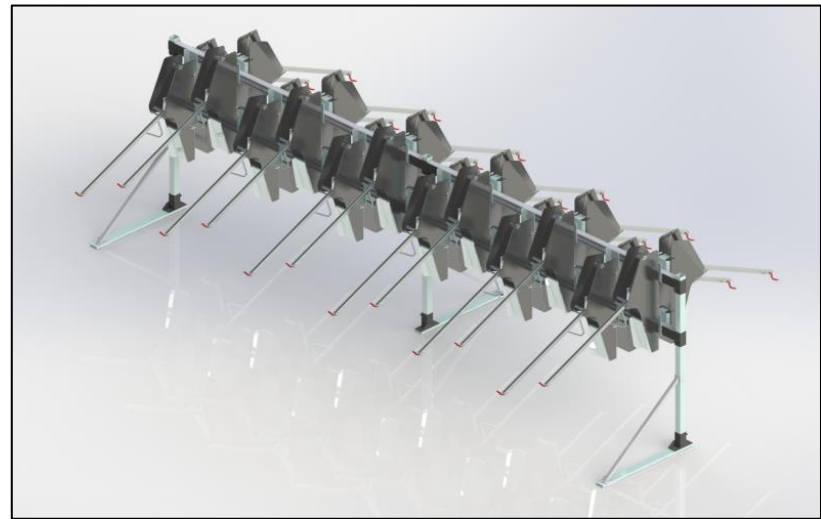
*Installation  
- Rack*

# VelowUp!<sup>®</sup>

Smart Bicycle Parking

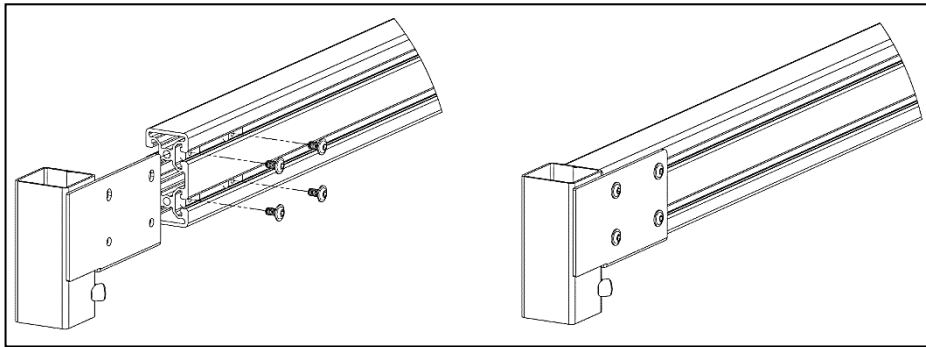


**Rack - Single-sided**



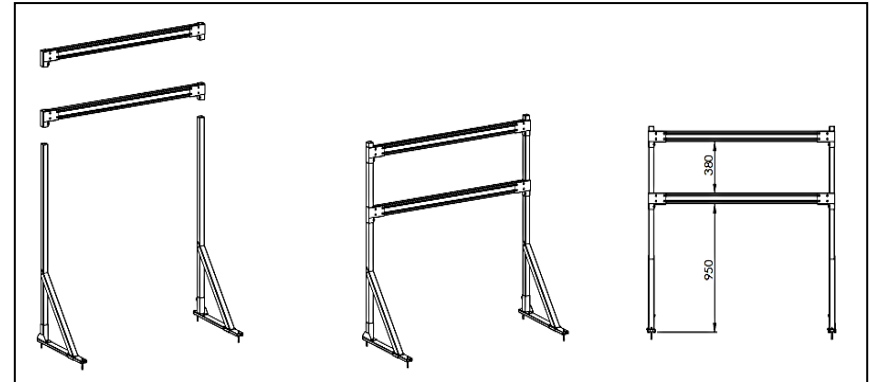
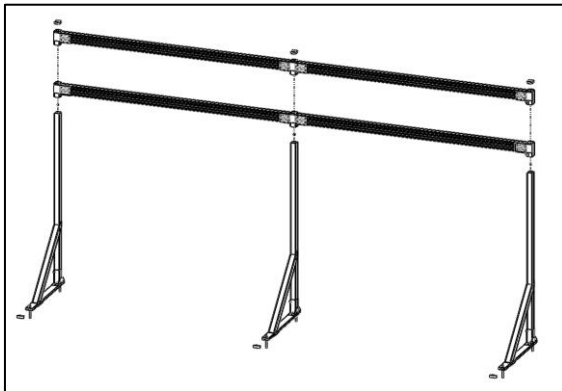
**Rack - Double-sided**

## Rack installation



### Horizontal aluminium bars

- Step 1. Place t-nuts into profile channels (4x t-nuts per mounting plate).  
Step 2. Connect mounting plates to profile with bolts.

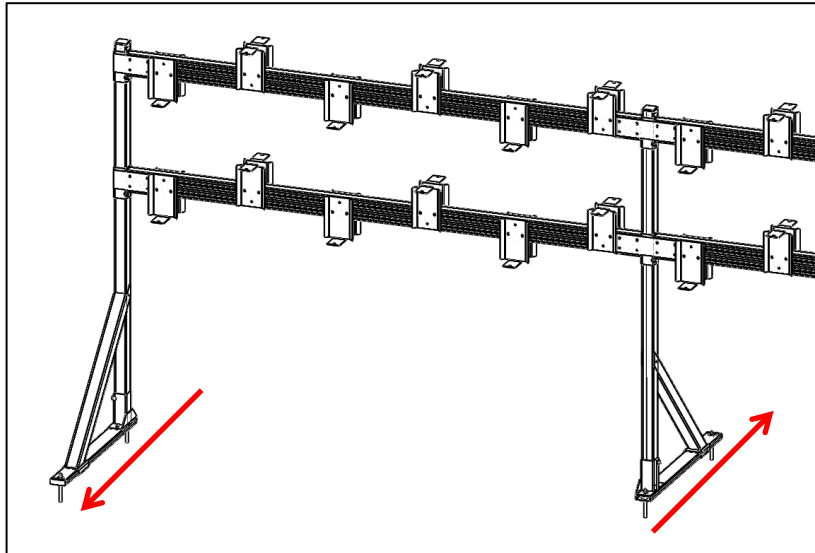


### Composition rack

- Step 1. Connect uprights through aluminum profile by sliding the mounting plates over the uprights.  
Step 2. Position aluminium profiles at the right height by tightening the mounting plates to the uprights.

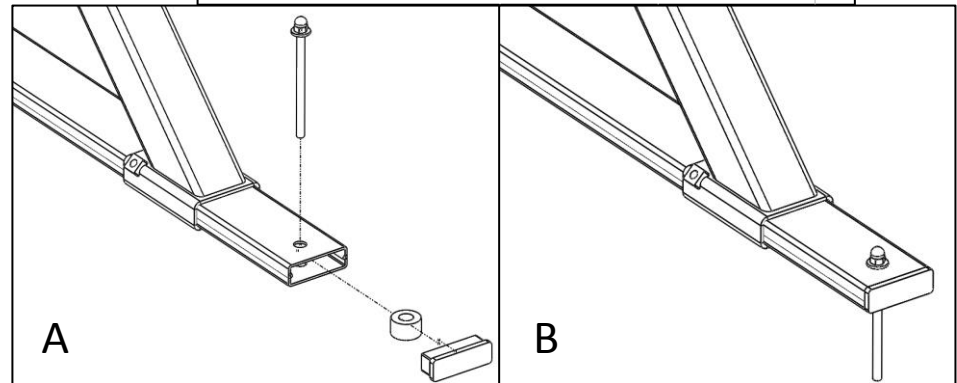
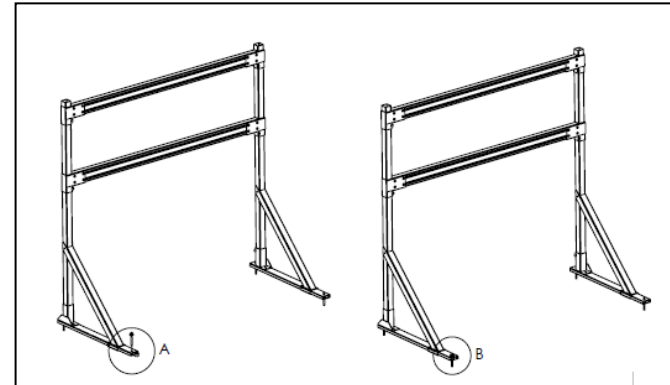
# VelowUp!®

Smart Bicycle Parking



## **Composition rack**

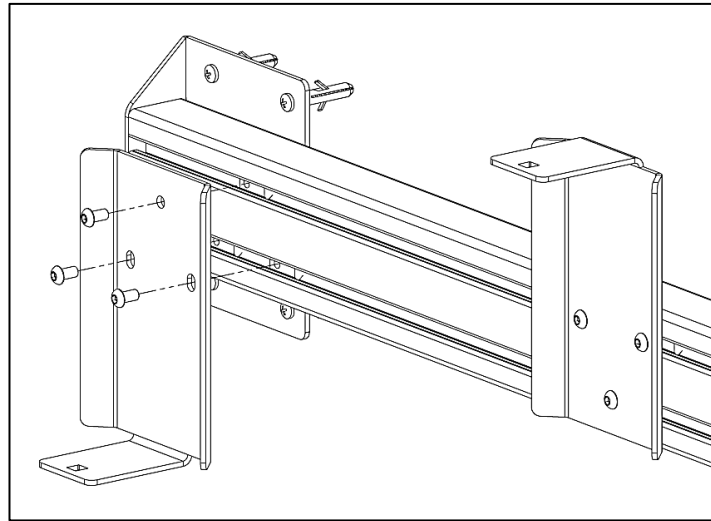
In case the VelowUp!®'s are installed double-sided, place uprights alternately in opposite direction (see above picture).



## **Fixation rack to floor**

- Step 1. Position upright at the right position on floor
- Step 2. Drill holes into floor (2 per upright)
- Step 3. Place plastic spacer in horizontal bar
- Step 4. Fill holes with glue/kit/hybride vinylester
- Step 5. Place bolt (with washer) into hole
- Step 6. Tighten nut (when glue has dried)

## Installation VelowUp!<sup>®</sup> Aluminium Profile System



Step 1. Place t-nuts into aluminium profile channels (3x t-nuts per mounting plate)

Step 2. Connect mounting plates to profile with bolts

In case the VelowUp!<sup>®</sup>'s are installed high/low, position mounting plates alternately upwards and downwards (see above picture)

# VelowUp!®

Smart Bicycle Parking

## Installation VelowUp!®'s to rack

