

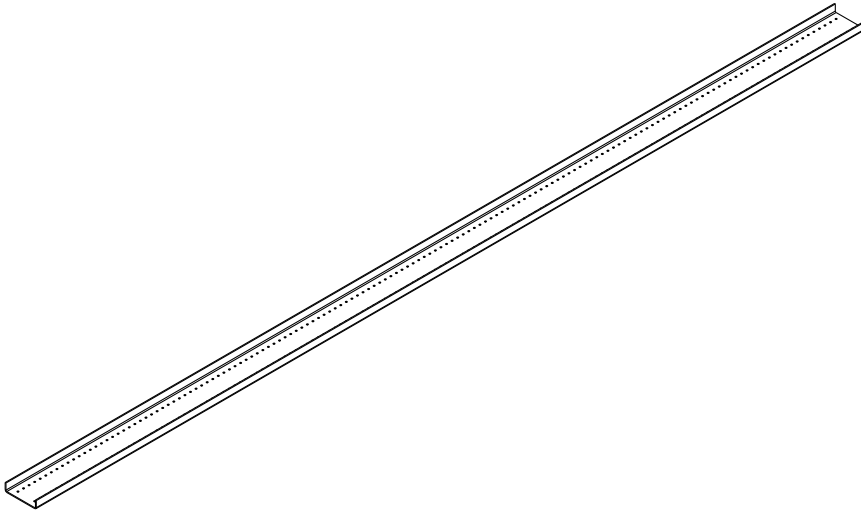
# Stainless Steel Gutter

[www.bicyclegutter.com](http://www.bicyclegutter.com)

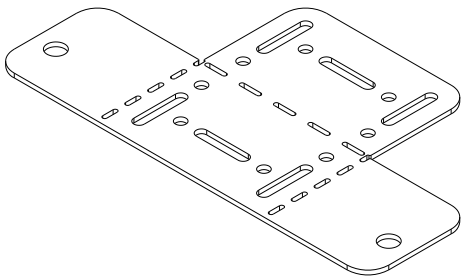
## Manual/Handleiding/Handbuch/Manuel/Manual

**1**

### A. Stainless steel gutter



### B. Inbound/outbound/connection bracket



### C. Bolt M5



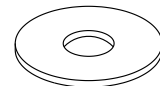
### D. Washer M5



### E. Screw



### F. Washer M5



### G. Nut M5



### H. Plug



### I. Antislip tape

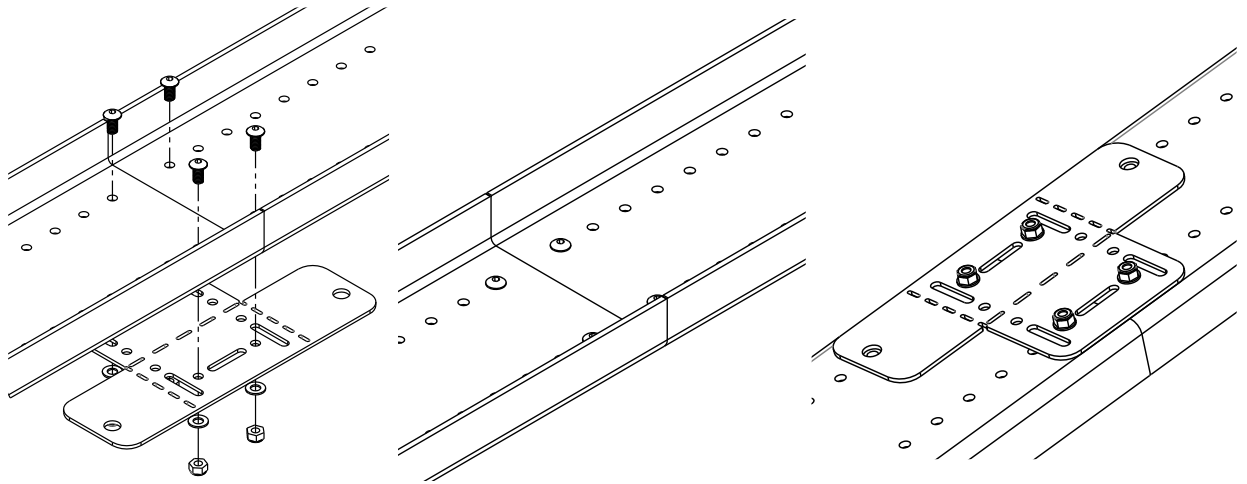


# Stainless Steel Gutter

[www.bicyclegutter.com](http://www.bicyclegutter.com)

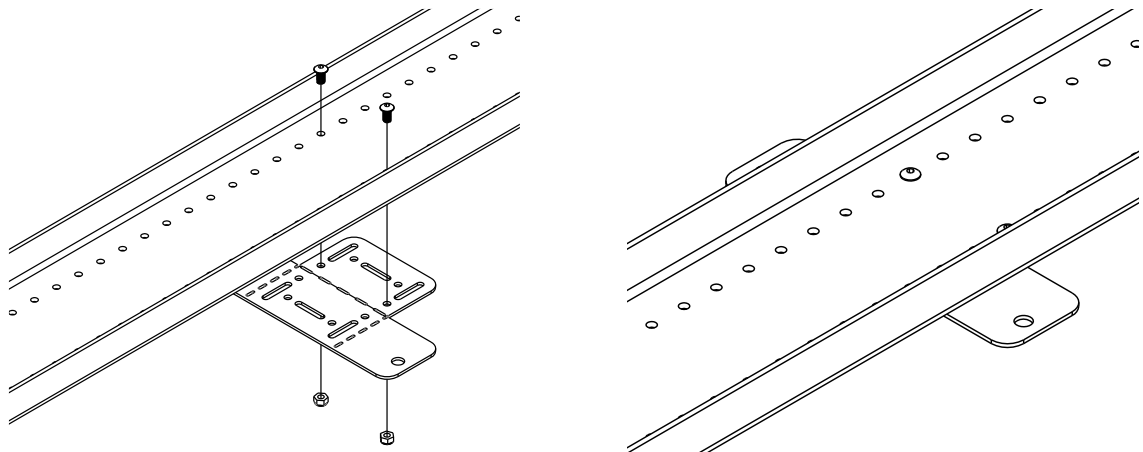
## 2 Interconnection gutters

A  
B  
4xC  
4xD  
4xG



## 3 Installation gutter at stairs

A  
B  
2xC  
2xD  
2xG



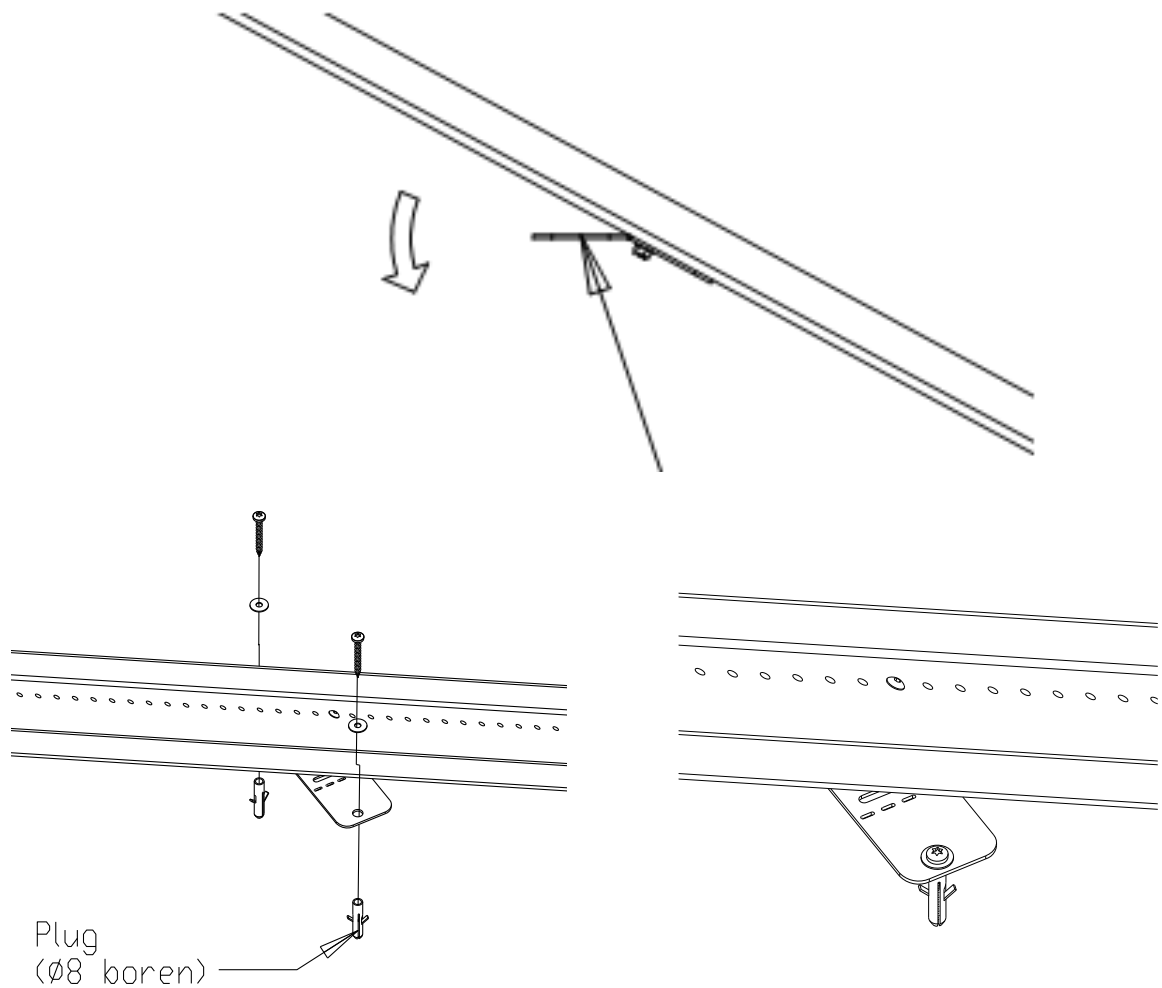
# Stainless Steel Gutter

[www.bicyclegutter.com](http://www.bicyclegutter.com)

## 4 Installation gutter at stairs

Bend bracket in the right angle

A  
B  
2xE  
2xF  
2xH



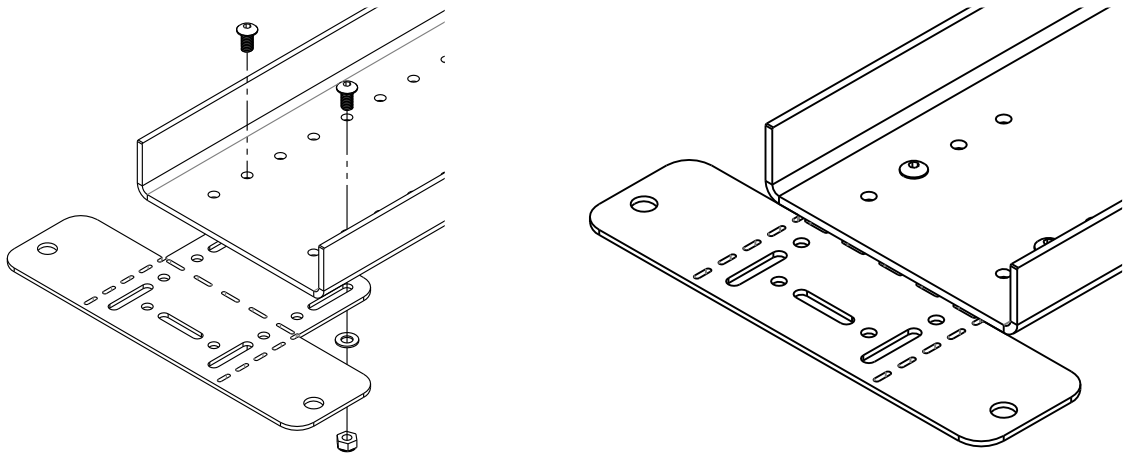
# Stainless Steel Gutter

[www.bicyclegutter.com](http://www.bicyclegutter.com)

## 5 Installation inbound/outbound bracket

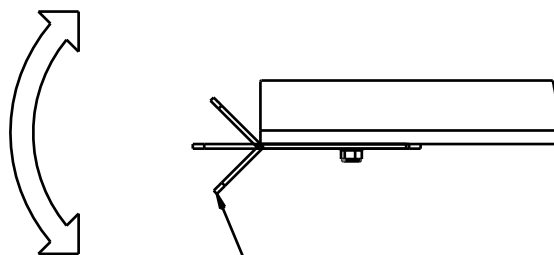
Both sides of gutter

A  
B  
2xC  
2xD  
2xG



## 6 Bending inbound/outbound bracket

Both sides of the gutter



Buig de beugel in de juiste hoek  
(gebruik hiervoor eventueel een tang)

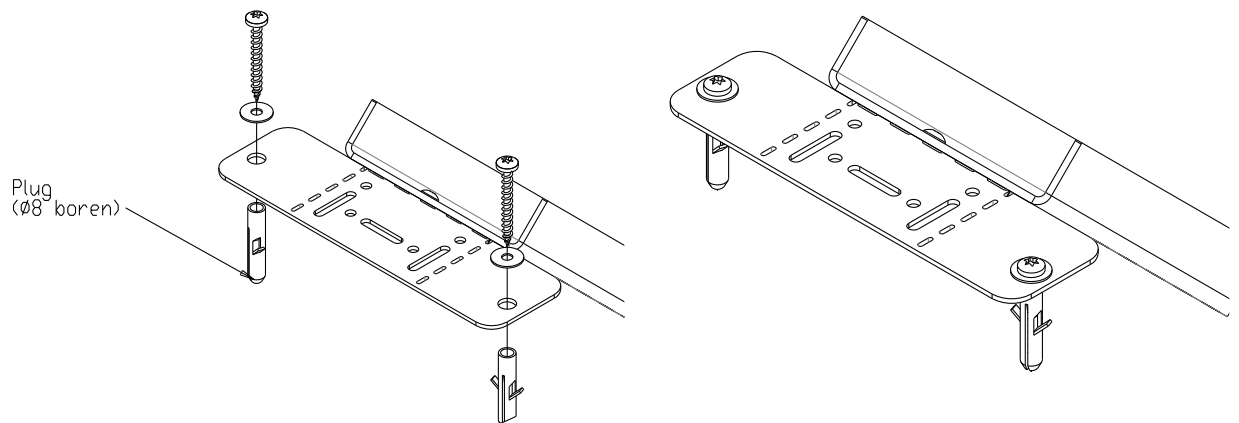
# Stainless Steel Gutter

[www.bicyclegutter.com](http://www.bicyclegutter.com)

## 7 Fixation inbound/outbound bracket

Both sides of gutter

2xE  
2xF  
2xH



## 8 Antislip

Degrease the bottom surface

1xI Remove paper and position antislip on bottom surface

