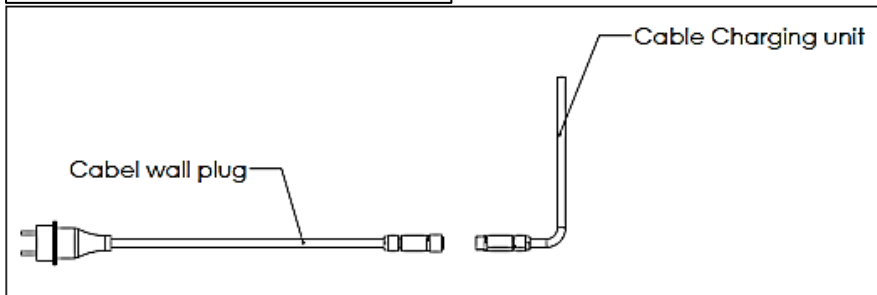
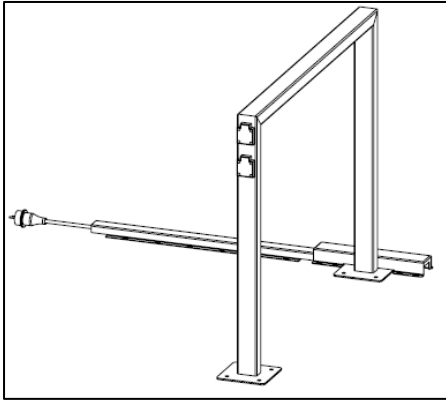


• **SheffieldCharge** – 1x module

Required electrical components:

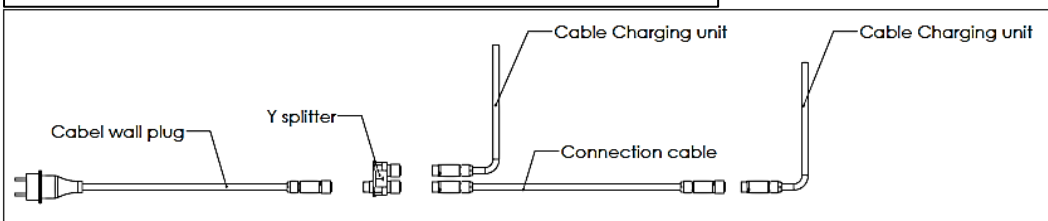
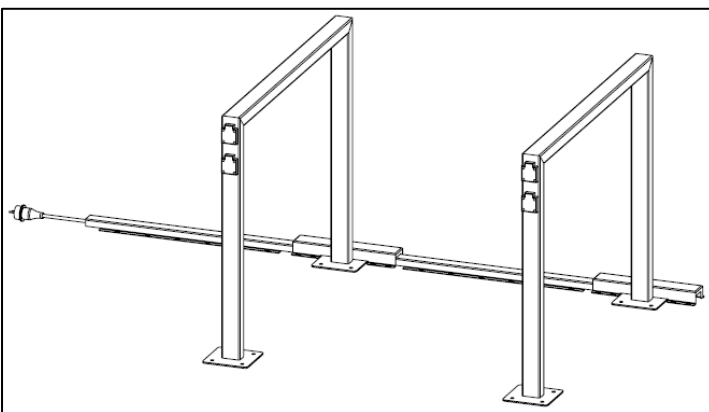
- 1x Female-connector with wall plug (incl. 10m cable)



• **SheffieldCharge** – 2x module

Required electrical components:

- 1x Female-connector with wall plug (incl. 10m cable)
- 1x Female/Male-connector with Y-connector (incl. cable)

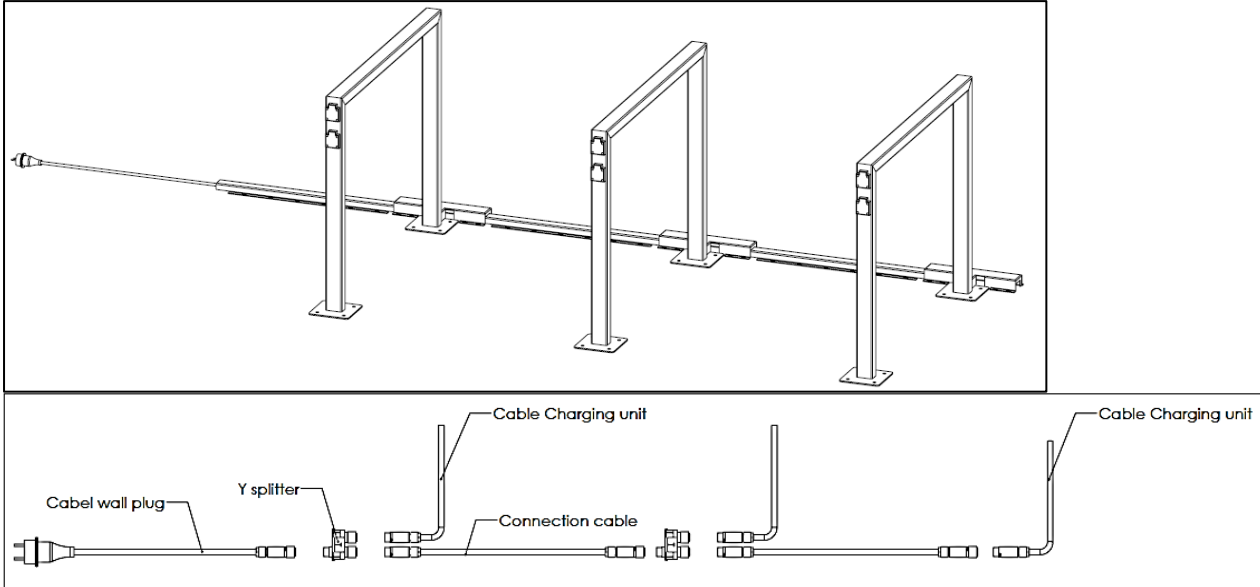


Attention: Maximum 4x SheffieldCharge (= 8 charging points) connected to 1 power supply group 230V/16A

• **SheffieldCharge – 3x module**

Required electrical components:

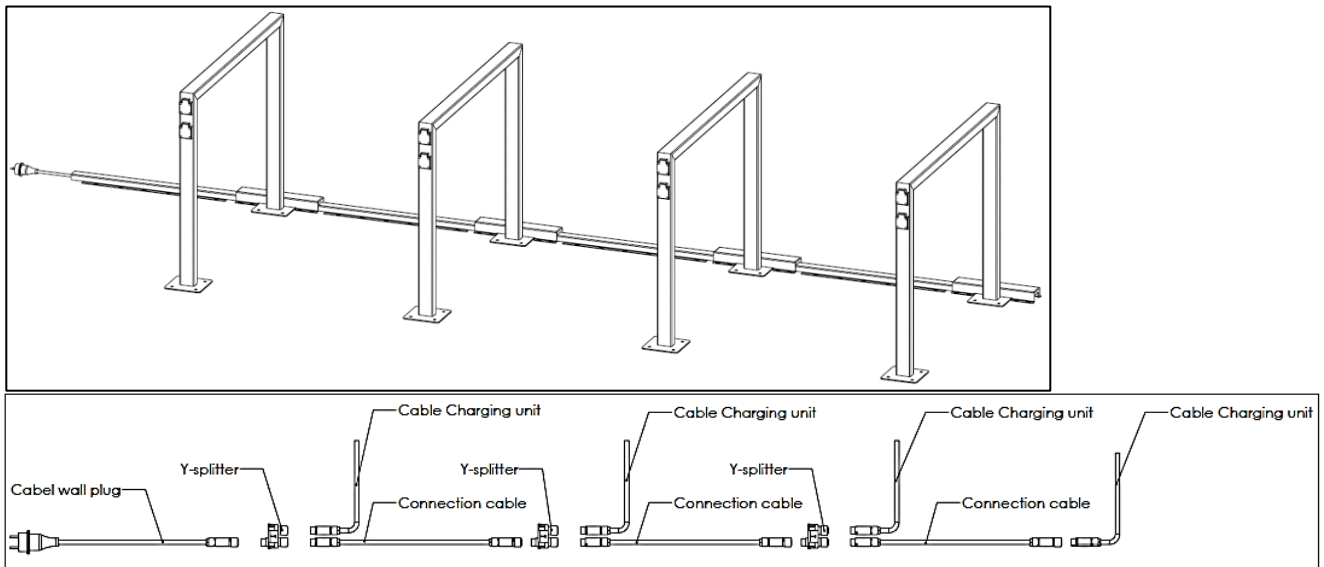
- 1x Female-connector with wall plug (incl. 10m cable)
- 2x Female/Male-connector with Y-connector (incl. cable)



• **SheffieldCharge – 4x module**

Required electrical components:

- 1x Female-connector with wall plug (incl. 10m cable)
- 3x Female/Male-connector with Y-connector (incl. cable)



Attention: Maximum 4x SheffieldCharge (= 8 charging points) connected to 1 power supply group 230V/16A