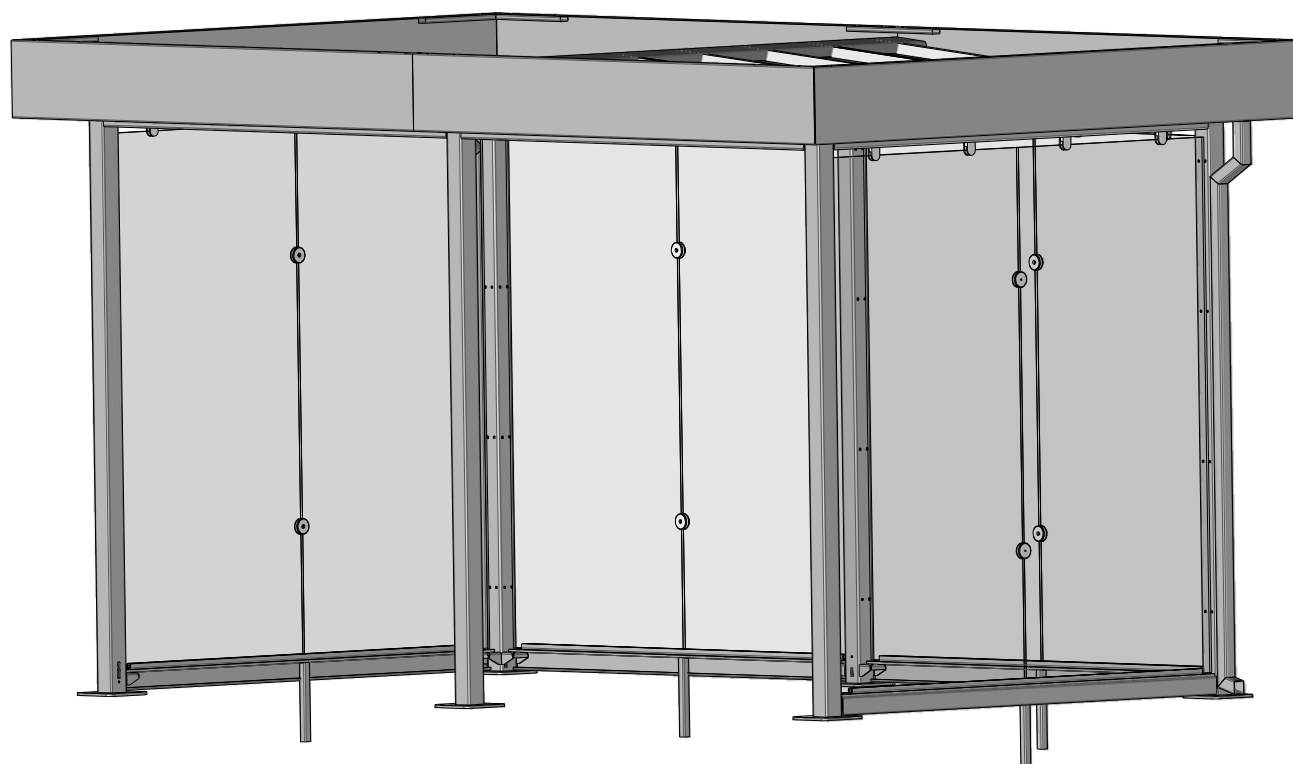


ASSEMBLY INSTRUCTIONS

Modul'ère 4x2x2.2m - Toiture bandeau
MODUL'ERE



IMPORTANT :

- Read these instructions carefully before starting assembly.
- Make sure that all parts listed in these instructions are included in the package.
- Follow the steps in the order indicated in the instructions

SAFETY TIPS :

- Follow the safety instructions for the tool you are using for this assembly.
- In case of bad weather (rain, wind, storm...) do not assemble the shelter.
- The shelter must be assembled by at least 2 people.
- The shelter must be fixed to a level, horizontal surface.
- Caution : some parts have sharp edges, so handle with care (wear work gloves).
- Caution : do not climb onto the roof of the shelter, as there is a risk of falling and serious injury.
- Regularly check that shelter screws are tight.

Practical advices :

- In the event of a problem, please contact our after-sales service :



02 40 78 08 08



sav@abri-plus.com

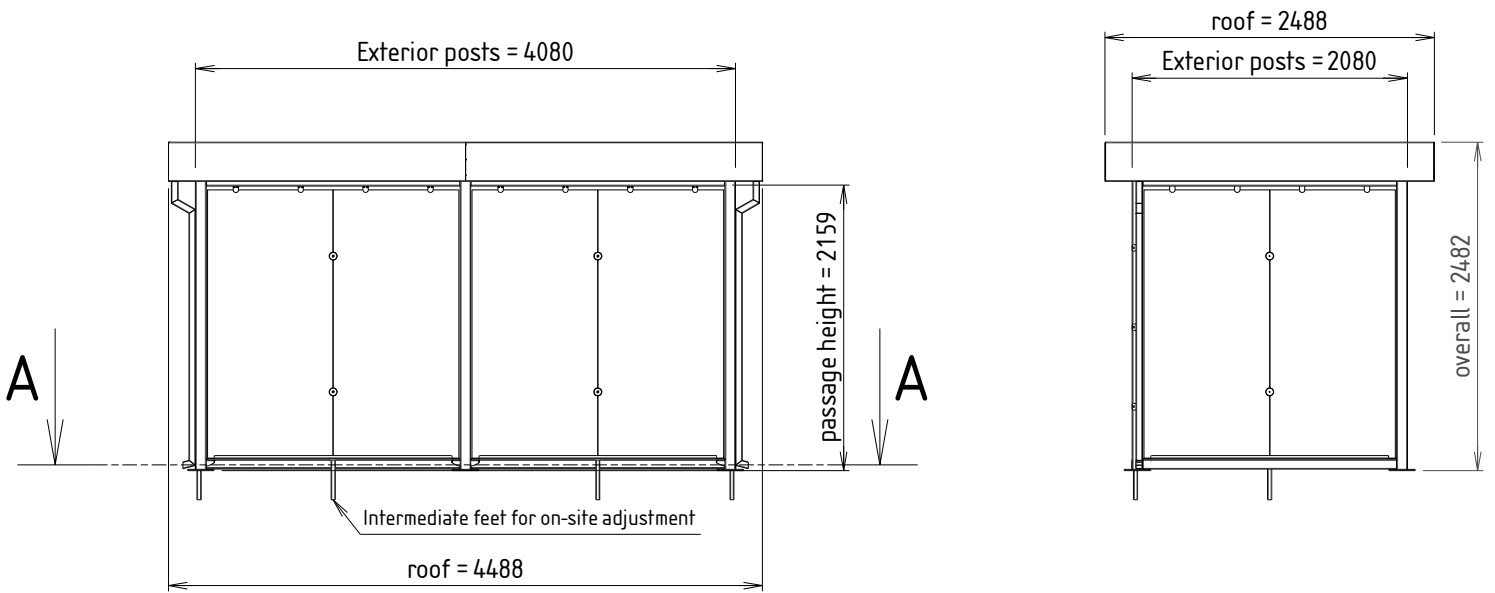
TOOLS REQUIRED

- | | |
|--------------------|-------------------------------|
| - Screwdriver | - Work gloves |
| - Impact bolt gun | - Spirit level |
| - Perforator | - PIRL |
| - 10 & 13 sockets | - Suction cups |
| - 6 sided wrenches | (pour manutention des vitres) |

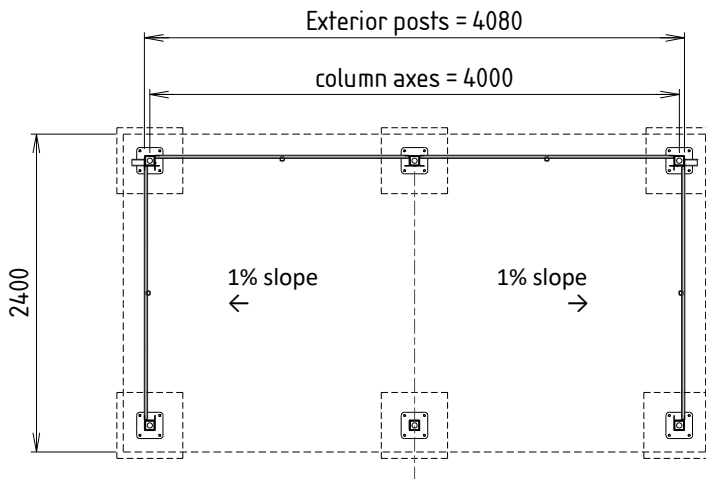


2 people

OVERVIEW :



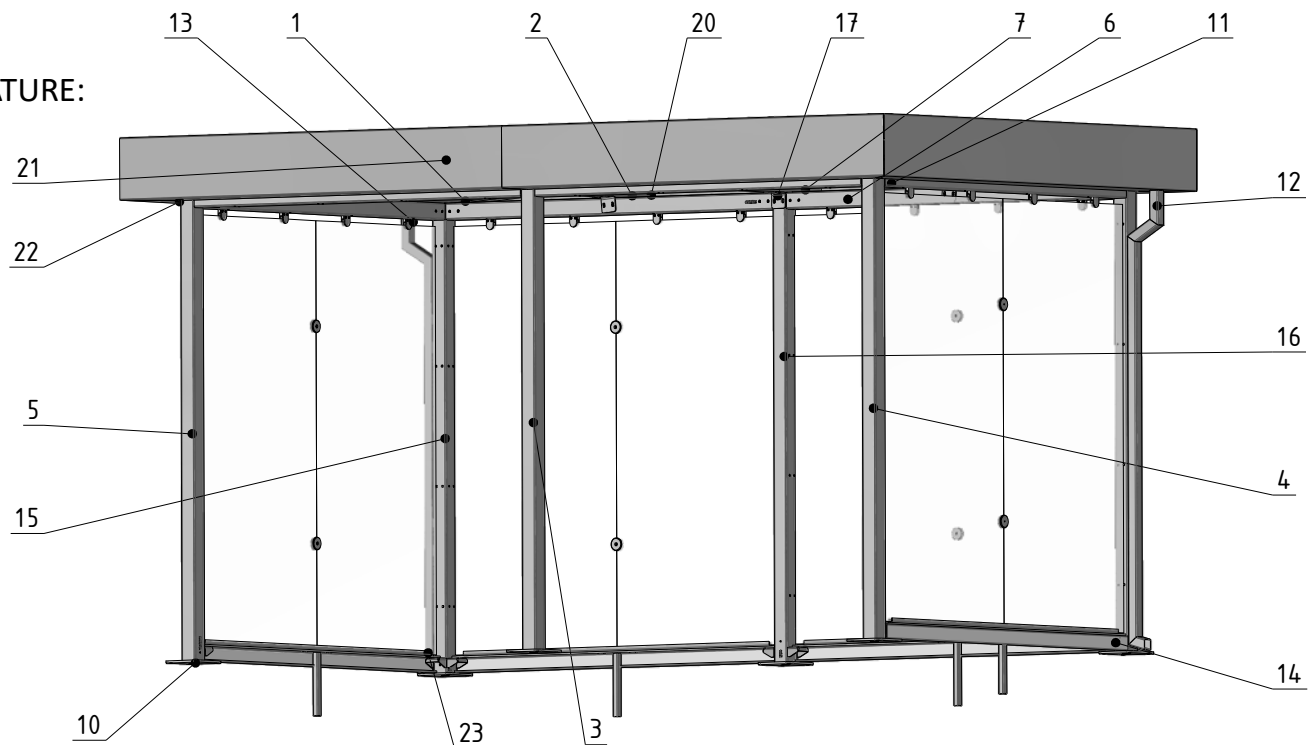
A - A



Laying conditions :

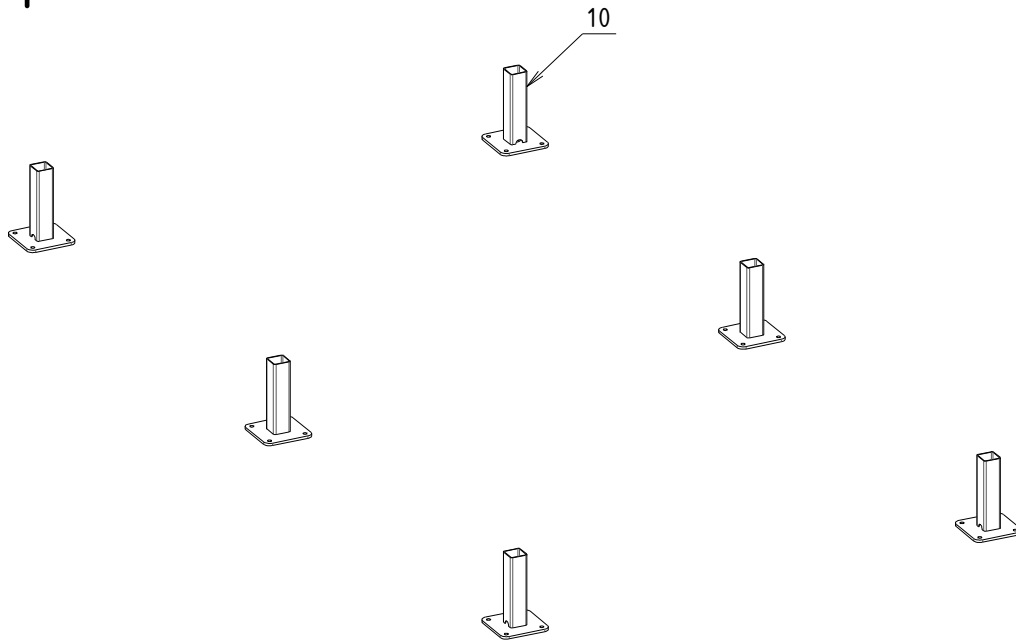
Concrete slab :
 4400 x 2400 x 200mm
 or
 6 Concrete studs 500x500x500mm
 (Maximum difference in level between posts < 100mm)

NOMENCLATURE:

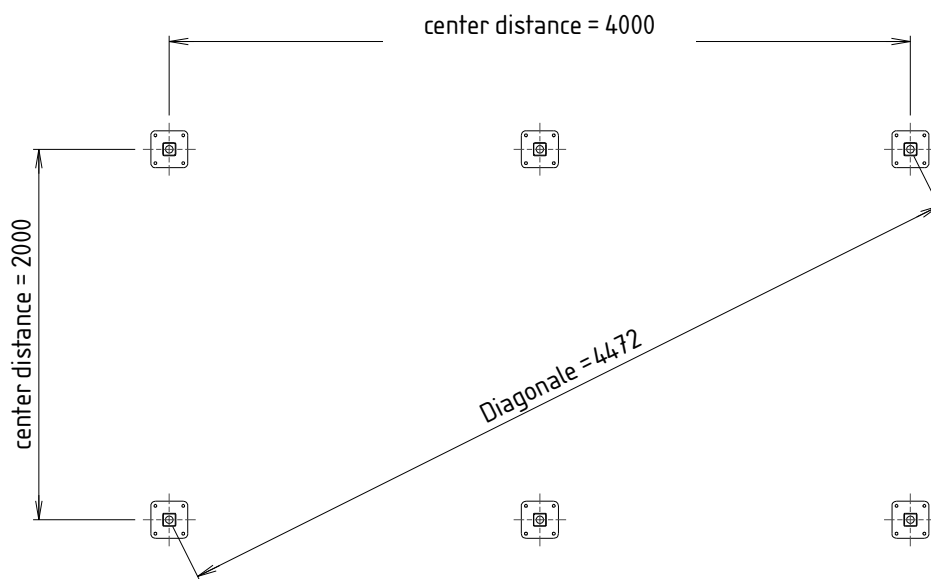


23	4	Cadre vitre	assemblé	PFMOD250	-	-
22	2	Bandeau ARG EP	Tôle galva ep 2mm	ABMOD452	25721	25722
21	2	Bandeau AVD	Tôle galva ep 2mm	ABMOD451	25719	25720
20	2	Bandeau AVG	Tôle galva ep 2mm	ABMOD450	25716	25717
19	1	Faitière double HT-AA-11 lg 2100 171°	Achat	ABMOD446		26435
18	1	Profil faitage lg 2238	Tôle galva ep 3mm	ABMOD442	25694	25695
17	6	Equerre sup traverse toiture	Tôle DKP ep 5mm	ABMOD440	25684	25685
16	1	Poteau AR central 4x4 VB Bandeau	Tube acier 80x80x3	ABMOD432	25700	25701
15	2	Poteau d'angle VB Bandeau	Tube acier 80x80x3	ABMOD430	25696	25697
14	4	Bavette lg 1916	Tôle R10 T15 ep 2mm	ABMOD266	25690	25691
13	1	Descente gouttière gauche	Tube acier 50x50x2	ABMOD198	4260	4262
12	1	Descente gouttière droit	Tube acier 50x50x2	ABMOD197	4258	4261
11	2	Traverse haute 1916 - VB	Tube acier 80x80x3	ABMOD110	3896	3897
10	6	Pied centré 70 lg300	Tube acier 70x70x3	ABMOD007	5343	5344
9	2	Renfort coté chéneau bandeau	Tube acier 40x20x2	ABBPARC315	22138	22139
8	4	Renfort coin chéneau bandeau	Tube acier 40x20x2	ABBPARC310	22136	22137
7	1	Traverse central 2m lg 2480 toit bandeau	Tube acier 120x80x4	152675-2480		
6	4	Traverse haute lg 1916 - VB NORVEGE	Tube SENDZIMIR 80x80x3	152675-030		
5	1	Poteau d'angle Gauche VB Bandeau	Tube acier 80x80x3	152675-003		
4	1	Poteau d'angle Droit VB Bandeau	Tube acier 80x80x3	152675-002		
3	1	Poteau AV central VB Bandeau	Tube acier 80x80x3	152675-001		
2	2					
1	6	Tôle de toiture 3.333.39T L 2150mm				
Repère	N B.	DESIGNATION	MATIERE	REFERENCE	N° PRODUIT G	N° PRODUIT P

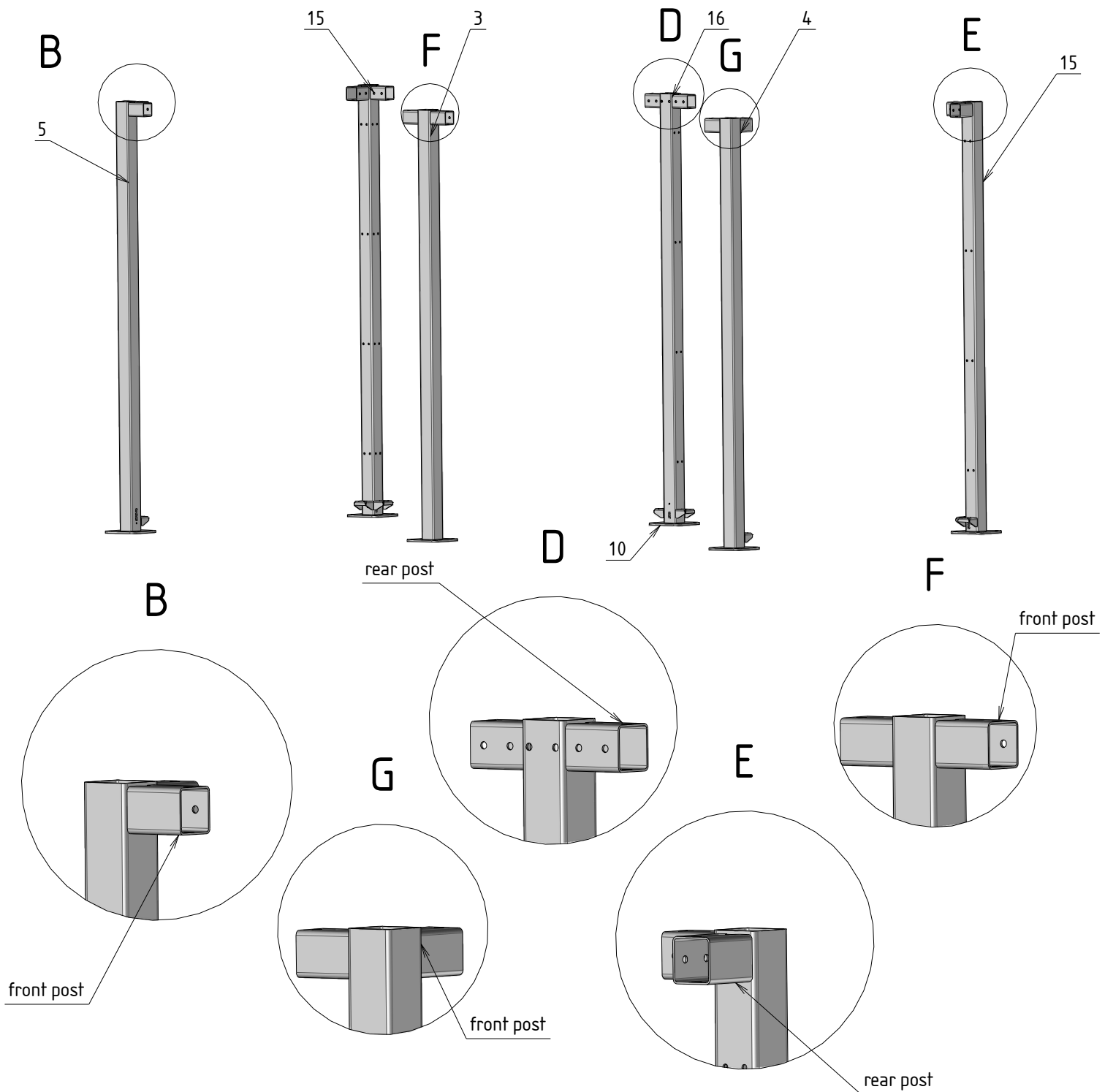
Step 1



- position the 6 feet (item 10) according to the layout plan



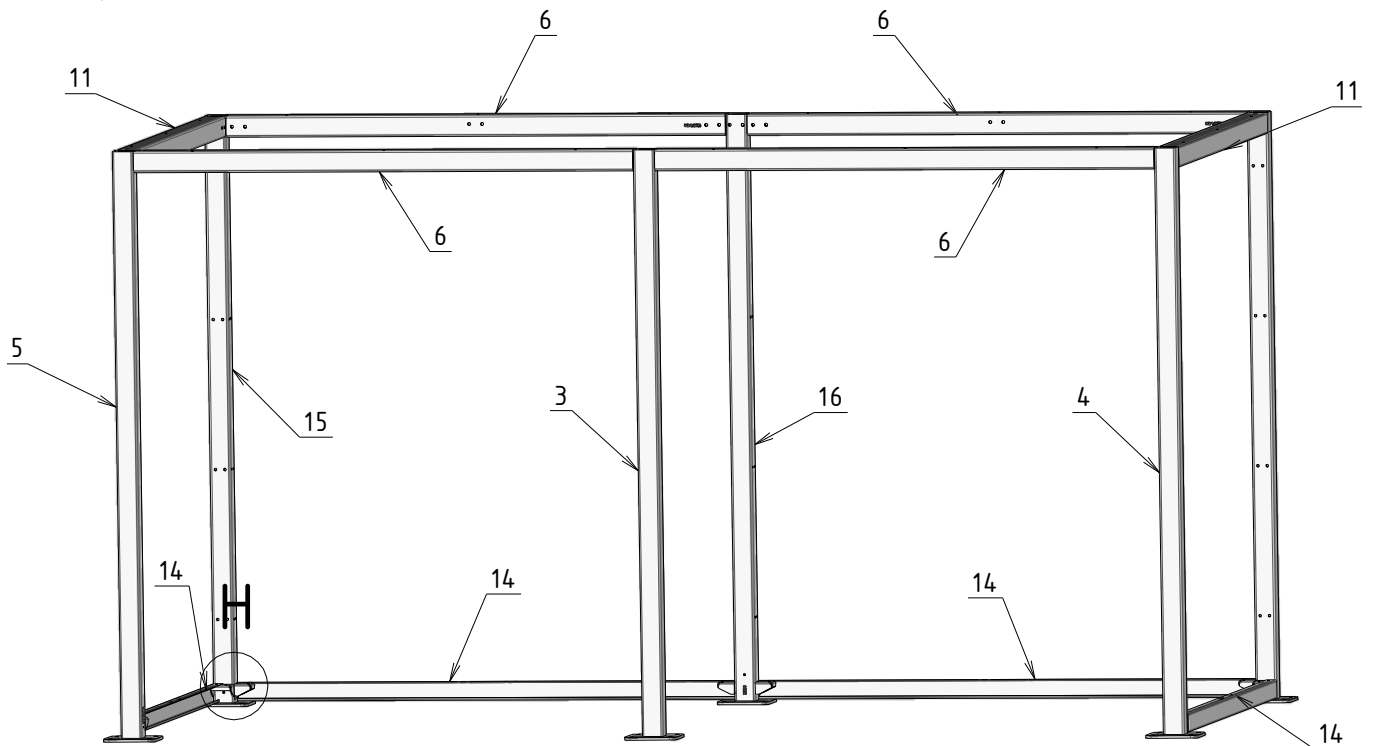
Step 2



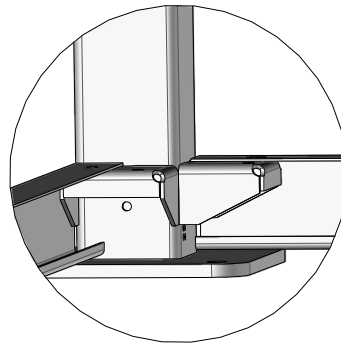
- Locate front and rear posts (right and left)

- Sleeve the 6 posts (items 3, 4, 5, 14 and 15) onto the 6 feet (item 10) with TH 6. 3 x 25 Marutex self-drilling screws

Step 3



H

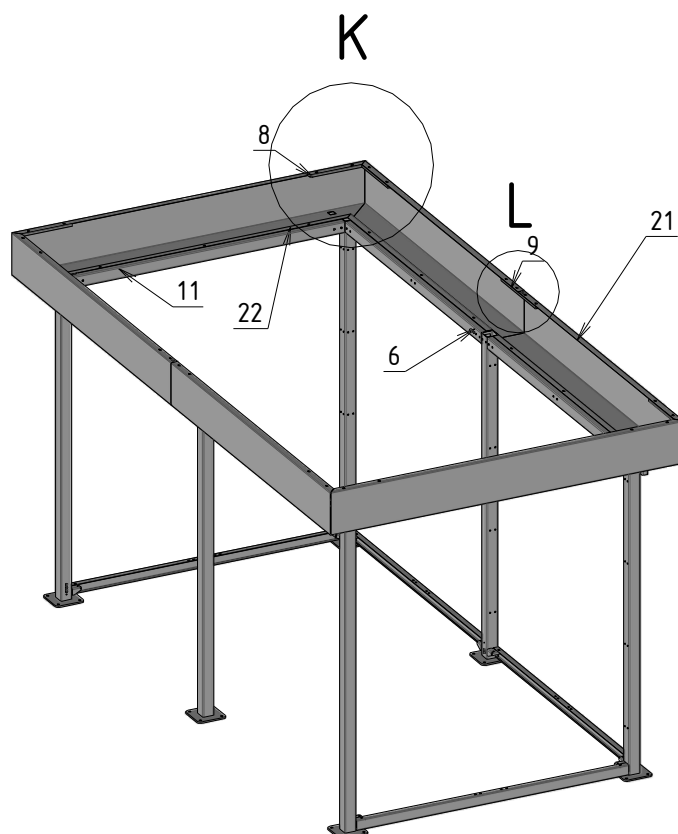


- Sleeve and fasten the 6 top cross-members (items 6 and 11) to the posts (items 3, 4, 5, 15 and 16) using A2 H M8-25 notched screws.

- Fix the 4 lower mud flaps (item 14) to the frame brackets welded to the post using A2 H M6-25 notched screws.

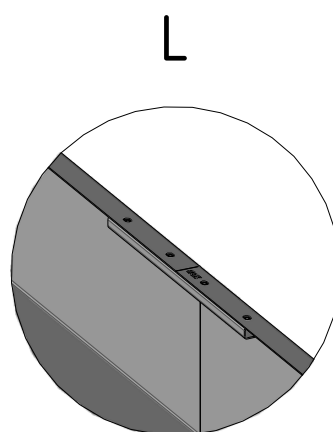
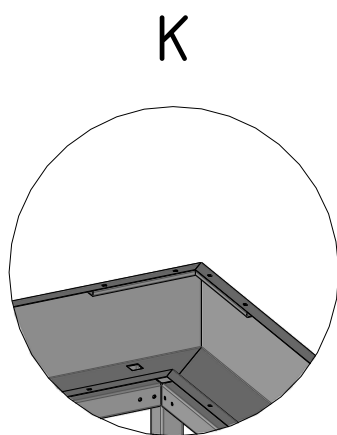
abriplus

Step 4



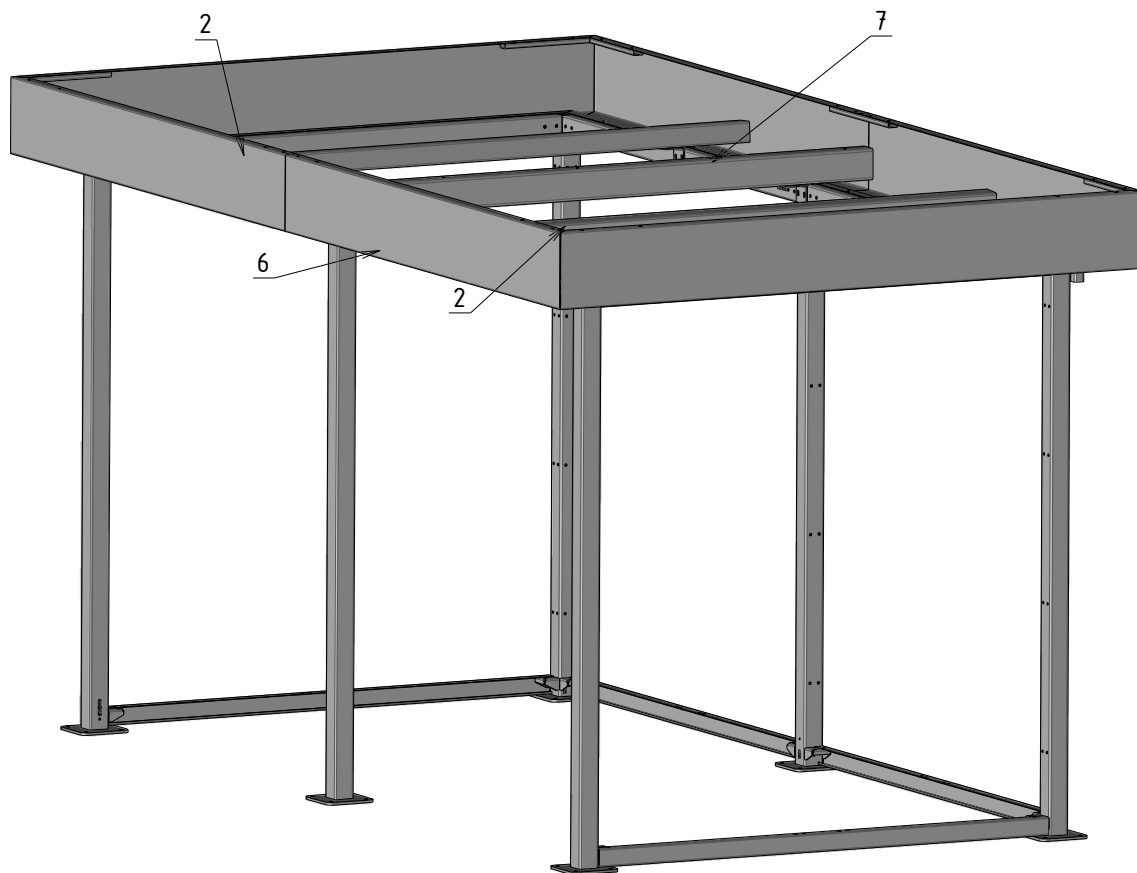
- Fasten the 6 headbands (items 21 and 22) to the crosspieces (items 6 and 11) using A2 H M6-25 notched screws

- Then attach the corner braces (items 8 and 9) to the corners of the 2 flaps (items 21 and 22) and between the central flaps (items 21) using A2 CBHC M6-20 washer screws.



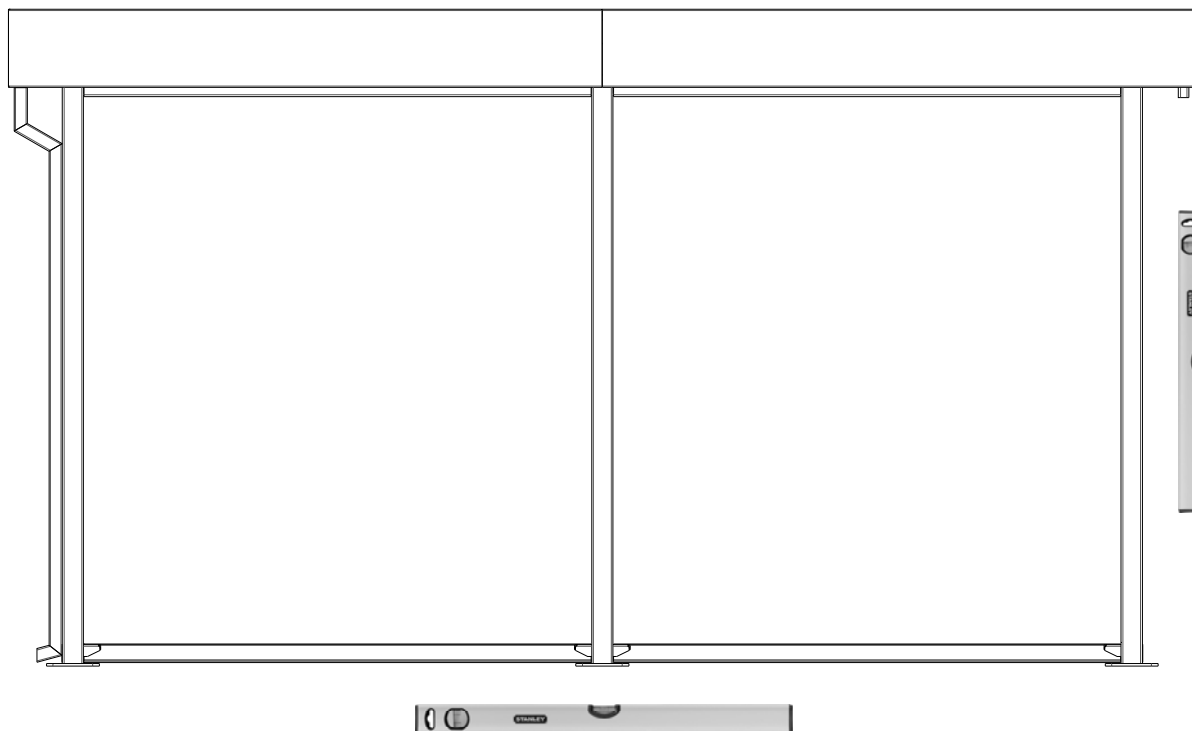
abriplus

Step 5



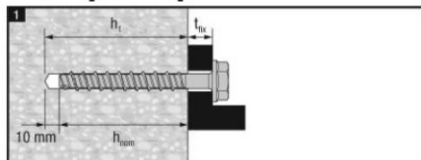
- Fasten the 2 intermediate cross-members (item 6) to the top cross-members (item 2) using A2 H M8-45 notched screws.
- Fasten the center cross-member (item 7) to the top cross-members (item 6) using A2 H M8-45 notched screws.

GROUND SEALING OF THE STRUCTURE

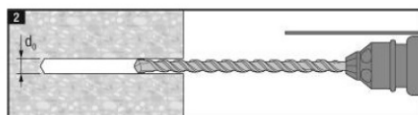


- level the structure longitudinally and transversely
- check diagonals
- clamp the assembly with H 6.3x25 self-drilling screws at the column feet (2 screws / foot)
- check that all structural screws and tight
- set in the ground :
 - in concrete floor, then anchor screws
 - if asphalt, then anchor with threaded rod + nuts + chemical resin.

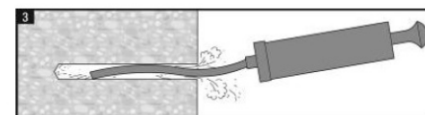
Principe de pose



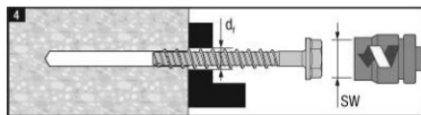
Sélectionner la cheville



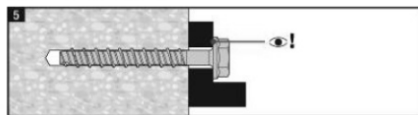
Percer le trou



Le dépoussiérer



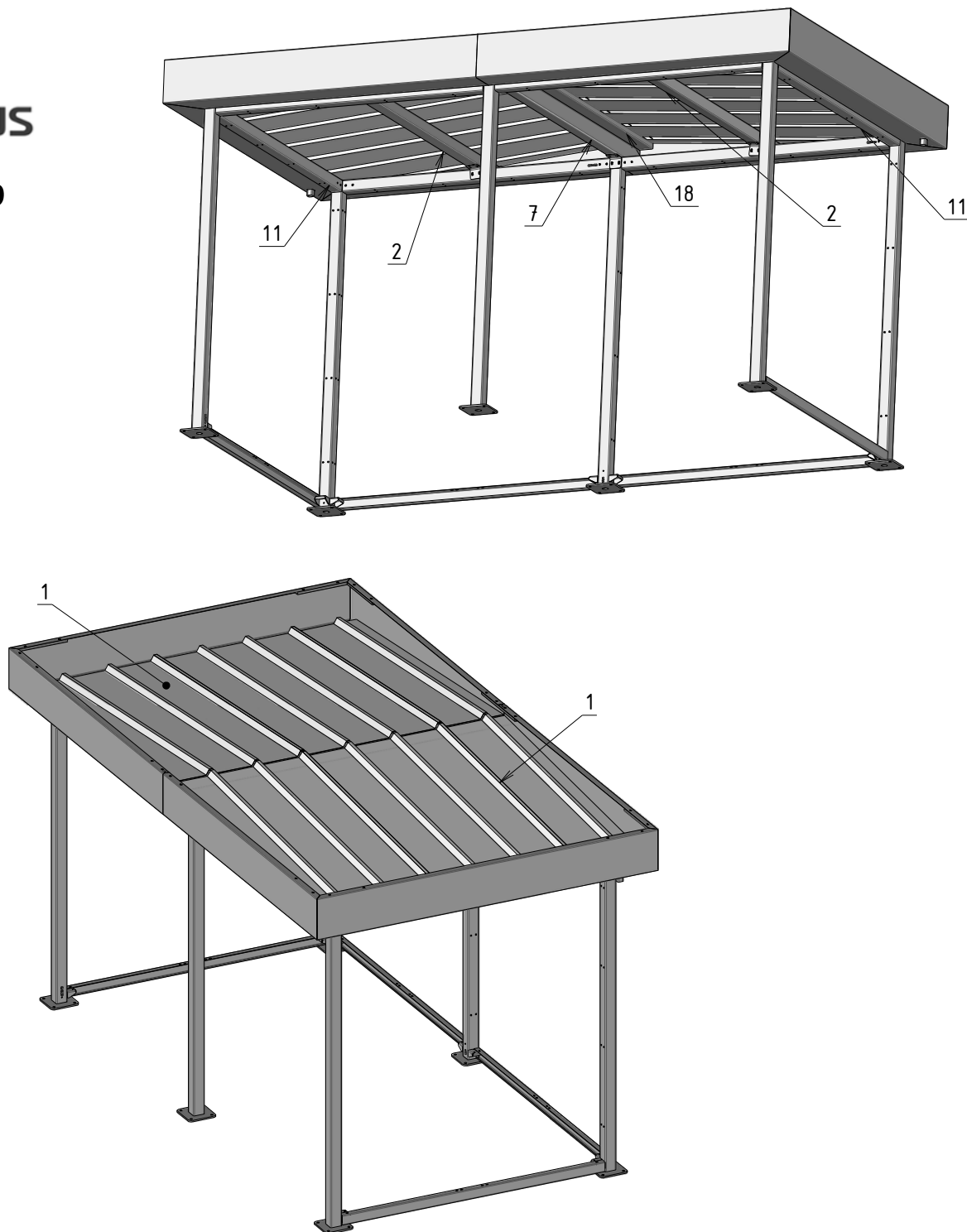
Visser la cheville avec l'outil recommandé



Vérifier la pose correcte

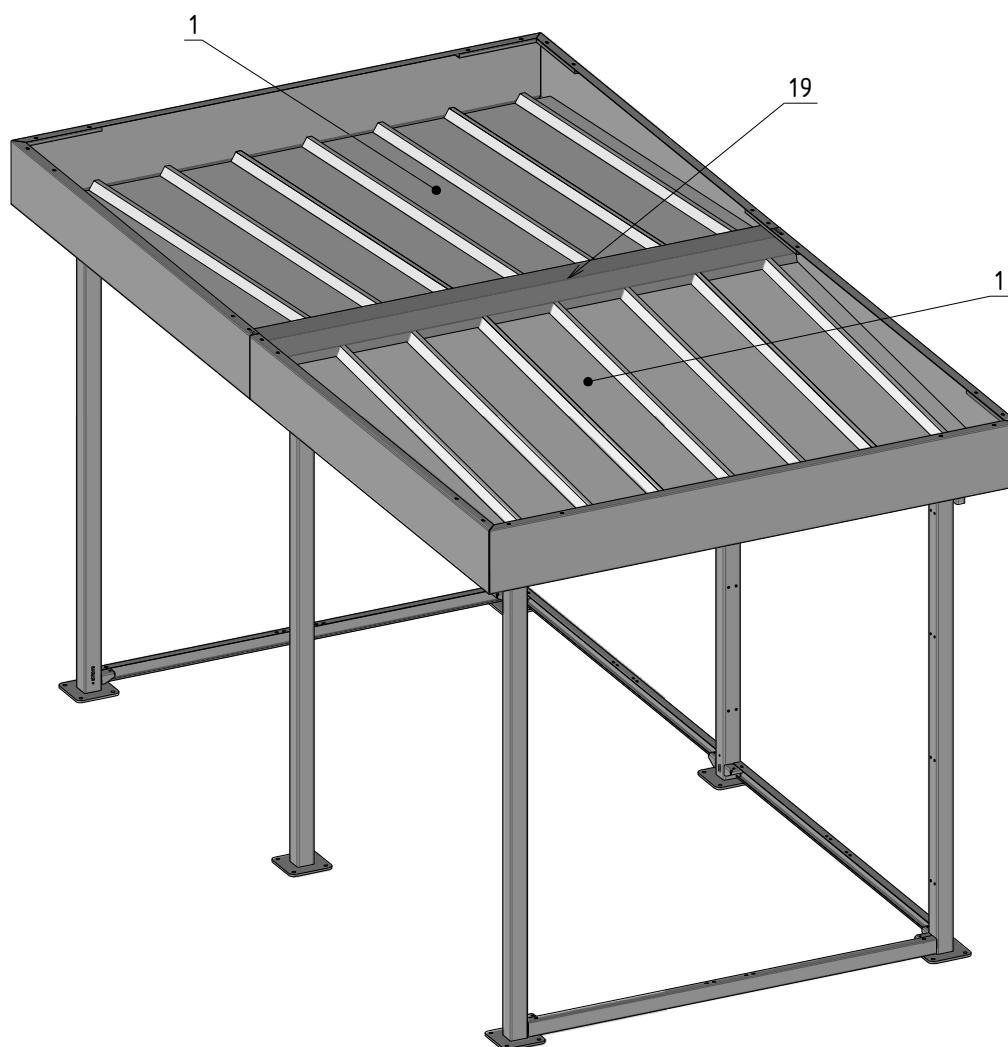
abriplus

Step 6



- Fasten the ridge profile (item 18) to the central cross-member (item 7) using A2 H M8-25 notched screws and A2 L8 washers.
- Fasten the roofing sheets (item 1) to the top (item 11) and intermediate (item 2) cross-members using 32 ZN 6.3 x 70 screws, 32 bridges and 32 jumpers.
- Fasten roof sheets (item 1) to ridge profile (item 18) with 16 ZN 5.5 x 27 screws.

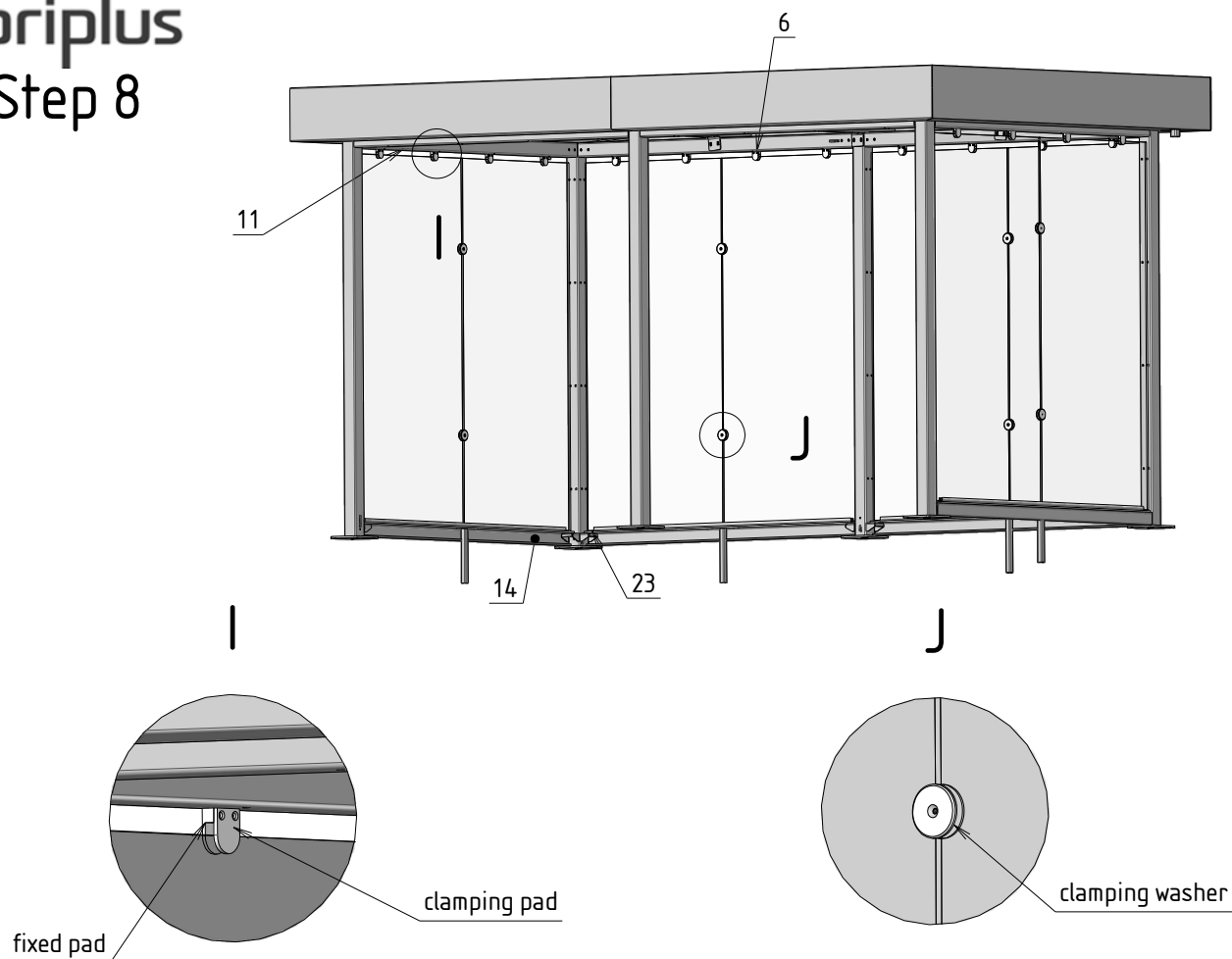
Step 7



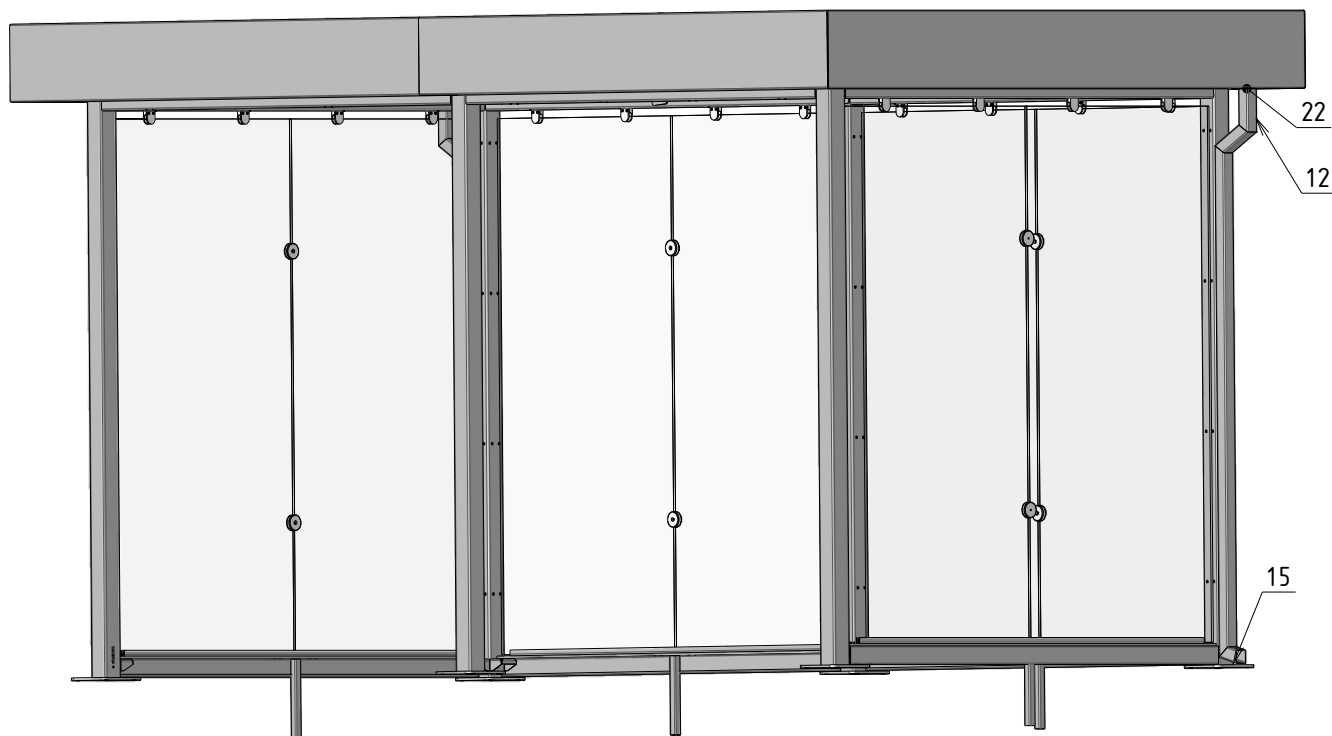
- Fix the double ridge sheet (item 19) to the roof sheets (item 1) using 8 ZN 5.5x27 cladding screws. 1 screw every 2 waves.

abriplus

Step 8



- Cut out the intermediate foot, then add the threaded plug and adjustable foot to the tube.
Fix the glass plate to the lower crosspiece (item 14) using A2 CBHC M6-20 screws with washers.
- Then fix the fixed blocks to the upper crosspieces (items 6 and 11) with M6-25 CHC screws.
- Then place the glass pane in the u support and position it between the 2 pavers, securing the assembly with FHC M6-16 screws.
- Add washers between the panes (2 washers between each pane) and tighten with FHC M6-20 screws.



- Sleeve the EP downspouts (item 12) into the gutter sleeves (item 22) and fasten them to the posts (item 15) with TH 6.3 x 25 Marutex self-drilling screws.