

ASSEMBLY INSTRUCTIONS

Modul'ère 6.5x2x2.2 m - toiture bandeau
MODUL'ERE



IMPORTANT :

- Read these instructions carefully before starting assembly.
- Make sure that all parts listed in these instructions are included in the package.
- Follow the steps in the order indicated in the instructions

SAFETY TIPS :

- Follow the safety instructions for the tool you are using for this assembly.
- In case of bad weather (rain, wind, storm...) do not assemble the shelter.
- The shelter must be assembled by at least 2 people.
- The shelter must be fixed to a level, horizontal surfaces.
- Caution : some parts have sharp edges, so handle with care (wear work gloves).
- Caution : do not climb onto the roof of the shelter, as there is a risk of falling and serious injury.
- Regularly check that shelter screws are tight.

Practical advices :

- In the event of a problem, please contact our after-sales service :



02 40 78 08 08



sav@abri-plus.com

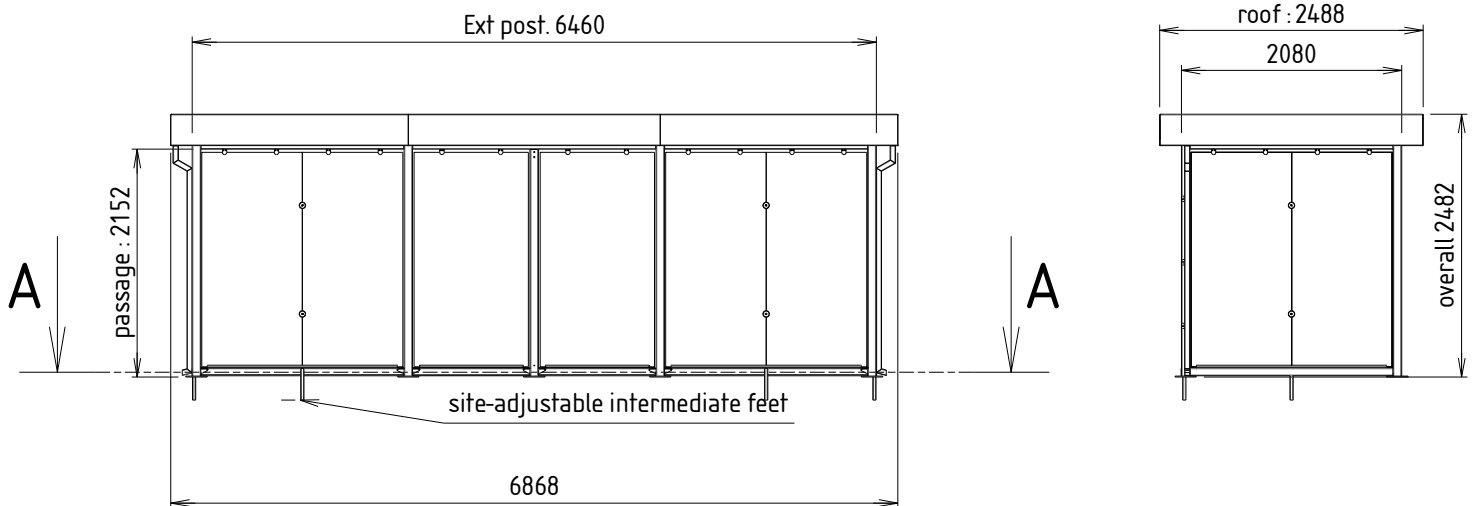
TOOLS REQUIRED

- | | |
|--------------------|-------------------------------|
| - Screwdriver | - Work gloves |
| - Impact bolt gun | - Spirit level |
| - Perforator | - PIRL |
| - 10 & 13 sockets | - Suction cups |
| - 6 sided wrenches | (pour manutention des vitres) |

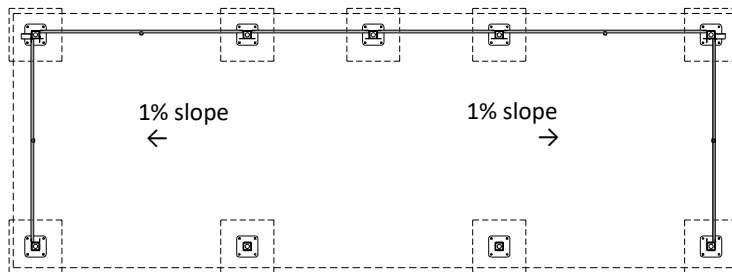


2 people

OVERVIEW :

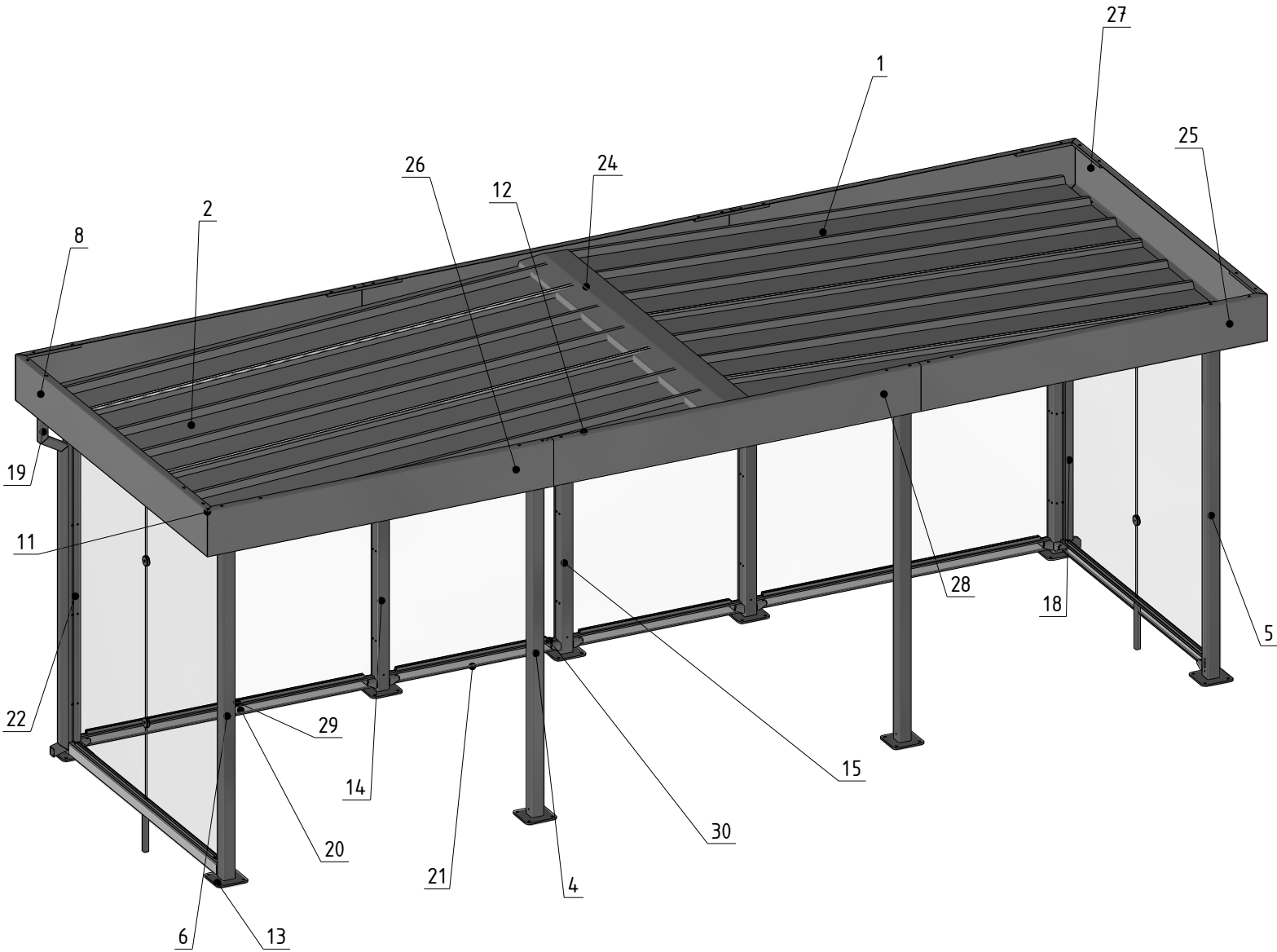


A - A



Laying conditions :

Concrete slab :
 6800x 2400 x 200mm
 or
 6 Concrete studs 500x500x500mm
 (Maximum difference in level between posts < 100mm)

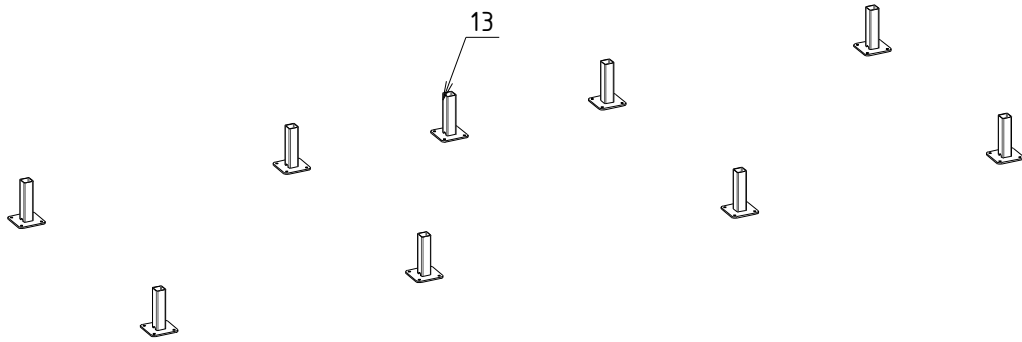


NOMENCLATURE:

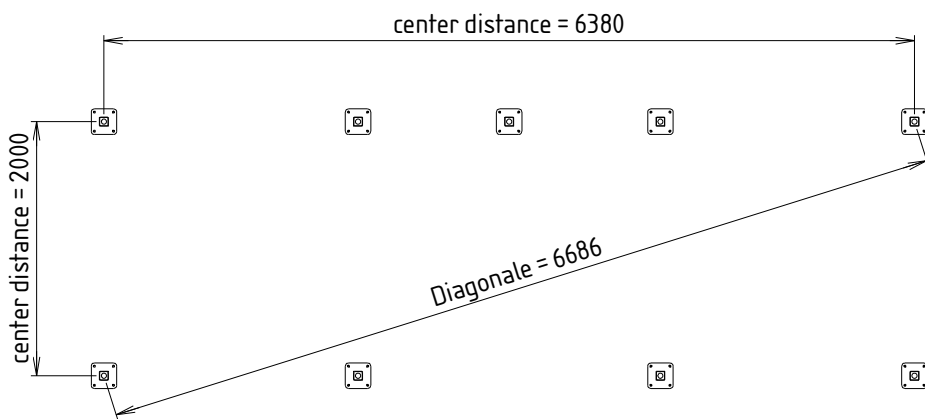
30	2	Cadre vitre cadre fond	Cadre vitre	PFMOD251	PFMOD251	
29	4	Cadre vitre	assemblé	PFMOD250	-	-
28	2	Bandeau int lg 2380	Tôle galva ep 2mm	ABMOD456	26429	26430
27	1	Bandeau ARG EP	Tôle galva ep 2mm	ABMOD452	25721	25722
26	2	Bandeau AVD	Tôle galva ep 2mm	ABMOD451	25719	25720
25	2	Bandeau AVG	Tôle galva ep 2mm	ABMOD450	25716	25717
24	1	Faitière double HT-AA-11 lg 2100 171°	Achat	ABMOD446		26435
23	6	Equerre sup traverse toiture	Tôle DKP ep 5mm	ABMOD440	25684	25685
22	2	Poteau d'angle VB Bandeau	Tube acier 80x80x3	ABMOD430	25696	25697
21	2	Bavette lg 1106	Tôle R10 T15 ep 2mm	ABMOD267	25692	25693
20	4	Bavette lg 1916	Tôle R10 T15 ep 2mm	ABMOD266	25690	25691
19	1	Descente gouttière gauche	Tube acier 50x50x2	ABMOD198	4260	4262
18	1	Descente gouttière droit	Tube acier 50x50x2	ABMOD197	4258	4261
17	1	Traverse haute façade AR VB - bandeau	Tube acier 80x80x3	ABMOD115	26427	26428
16	6	Traverse haute 1916 - VB	Tube acier 80x80x3	ABMOD110	3896	3897
15	1	Poteau cadre fond	Tube acier 80x80x3	ABMOD070	3885	3886
14	2	Poteau int coté VB	Tube acier 80x80x3	ABMOD031	4243	4244
13	9	Pied centré 70 lg300	Tube acier 70x70x3	ABMOD007	5343	5344
12	4	Renfort coté chéneau bandeau	Tube acier 40x20x2	ABBPARC3 15	22138	22139
11	4	Renfort coin chéneau bandeau	Tube acier 40x20x2	ABBPARC3 10	22136	22137
10	1	Traverse central 2m lg 2480 toit bandeau	Tube acier 120x80x4	152675-2480		
9	1	Profil faitage lg 2480	Tôle galva ep 3mm	152675-023		
8	1	152675-021a	Tôle DKP ep 2mm	152675-022		
7	2	Traverse int 2m lg 2480 VB bandeau	Tube acier galva 100x100x3	152675-010		
6	1	Poteau d'angle Gauche VB Bandeau	Tube acier 80x80x3	152675-003		
5	1	Poteau d'angle Droit VB Bandeau	Tube acier 80x80x3	152675-002		
4	2	Poteau AV central VB Bandeau	Tube acier 80x80x3	152675-001		
3	1	Traverse haute façade AV	Tube acier 80x80x3			
2	2	Tôle de toiture 3.333.39T L 3310mm	Dérivé			
1	4	Tôle de toiture 3.333.39T L 3310mm				
Repère	N B.	DESIGNATION	MATIERE	REFERENCE	N° PRODUIT G	N° PRODUIT P

abriplus

Step 1

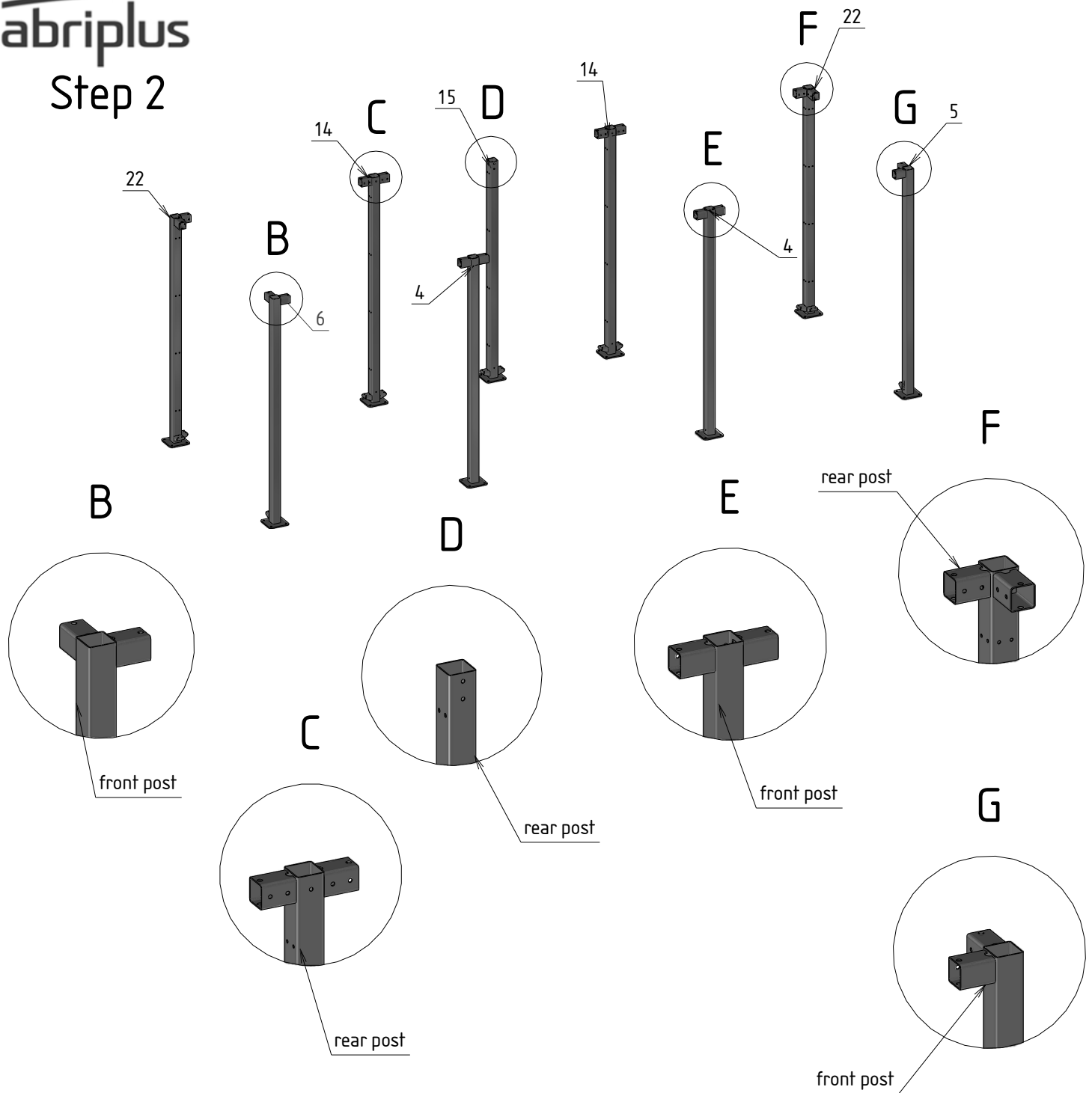


- position the 9 feet (item 13) according to the layout plan



abriplus

Step 2

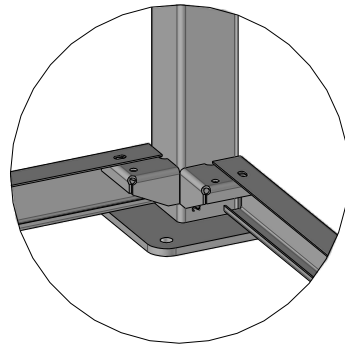
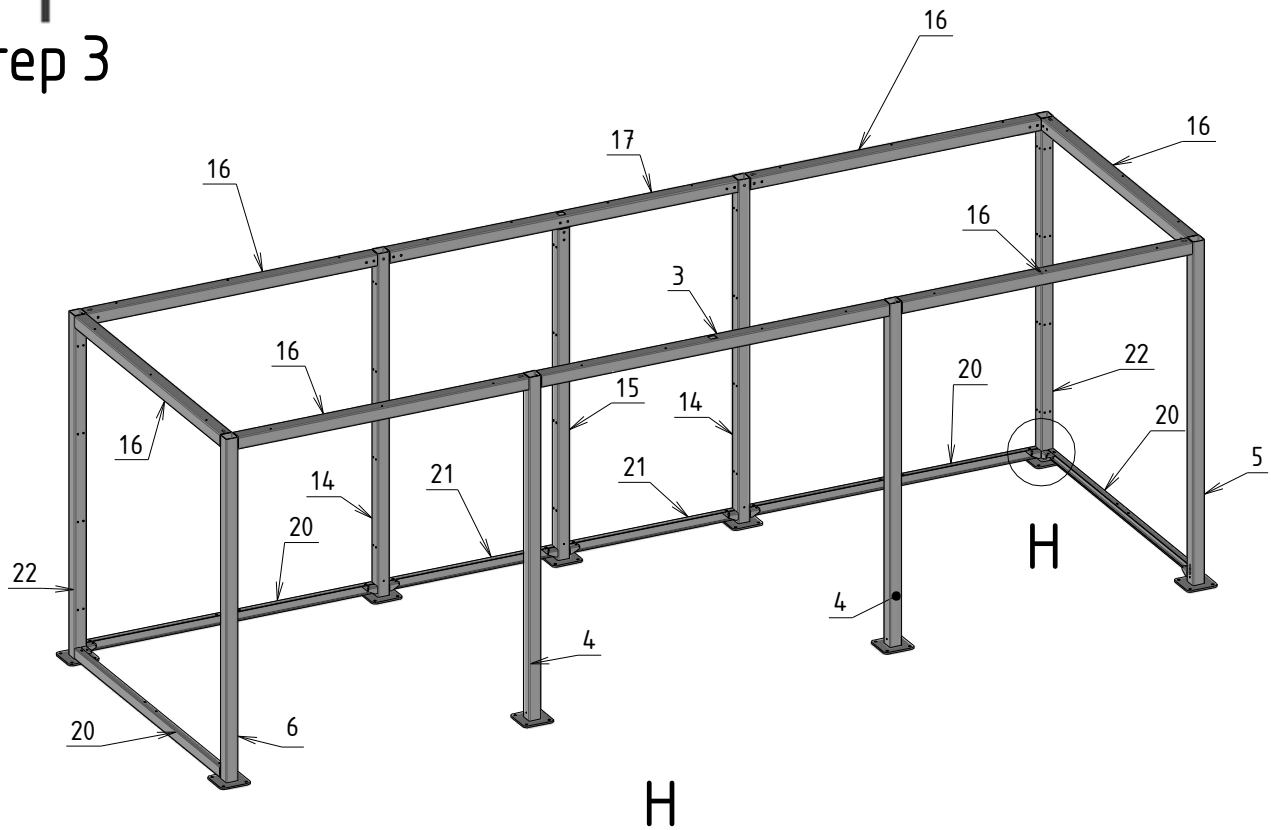


- Locate front and rear posts (right and left)

- Sleeve the 9 posts (items 4, 5, 6, 14, 15, 16, 22) onto the 9 feet (item 13) with TH 6.3 x25 Marutex self-drilling screws

abriplus

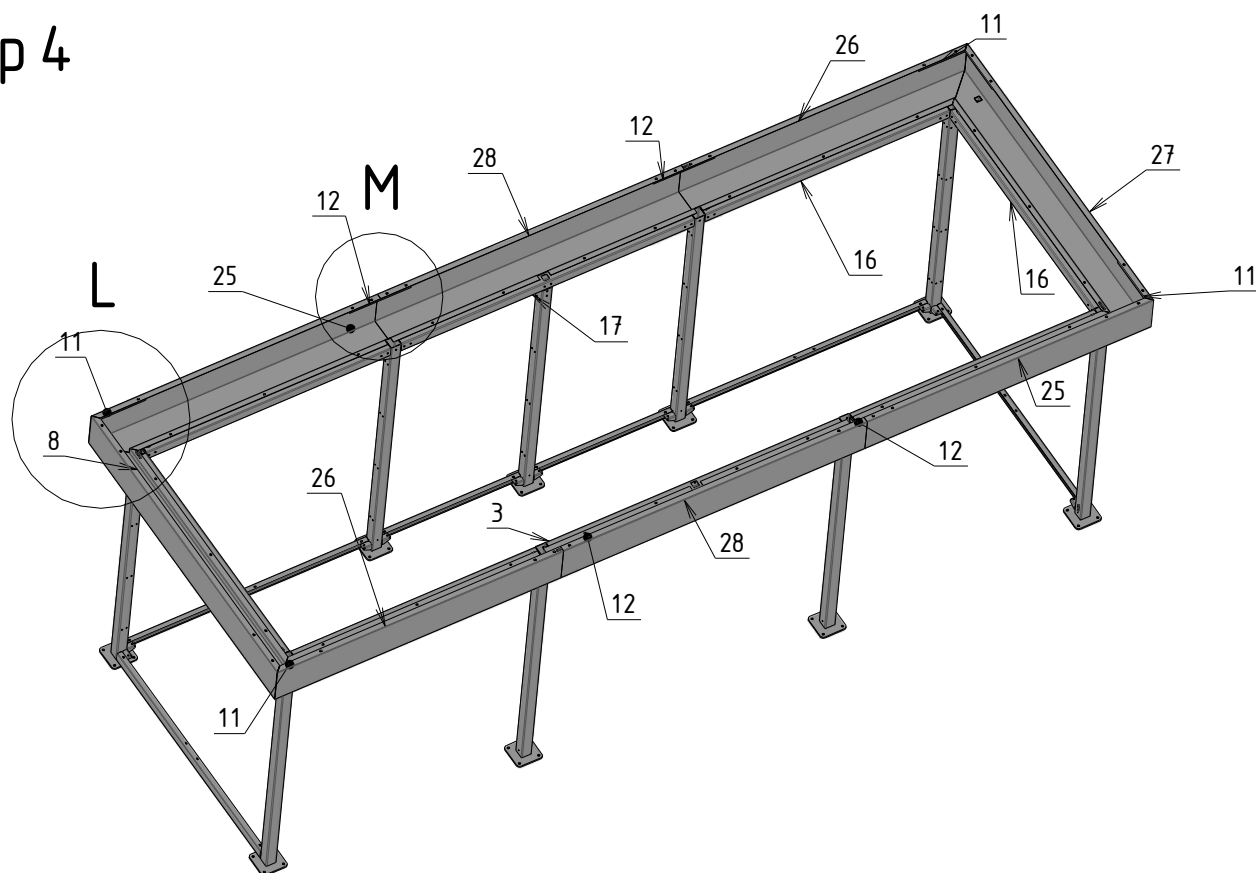
Step 3



- Sleeve and fasten the 8 top cross-members (items 3, 16 et 17) to the posts (items 4, 5, 6, 14, 15 and 22) using A2 H M8-25 notched screws.
- Fix the 6 lower mud flaps (items 20 and 21) to the frame brackets welded to the post using A2 H M6-25 notched screws.

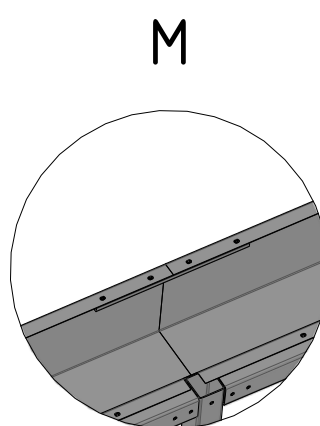
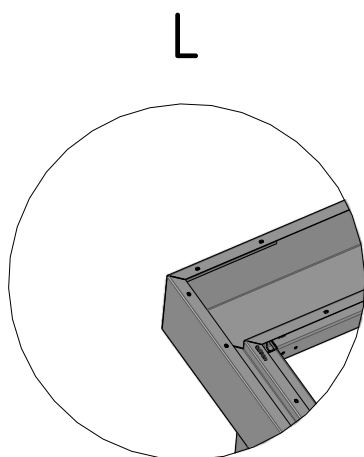
abriplus

Step 4

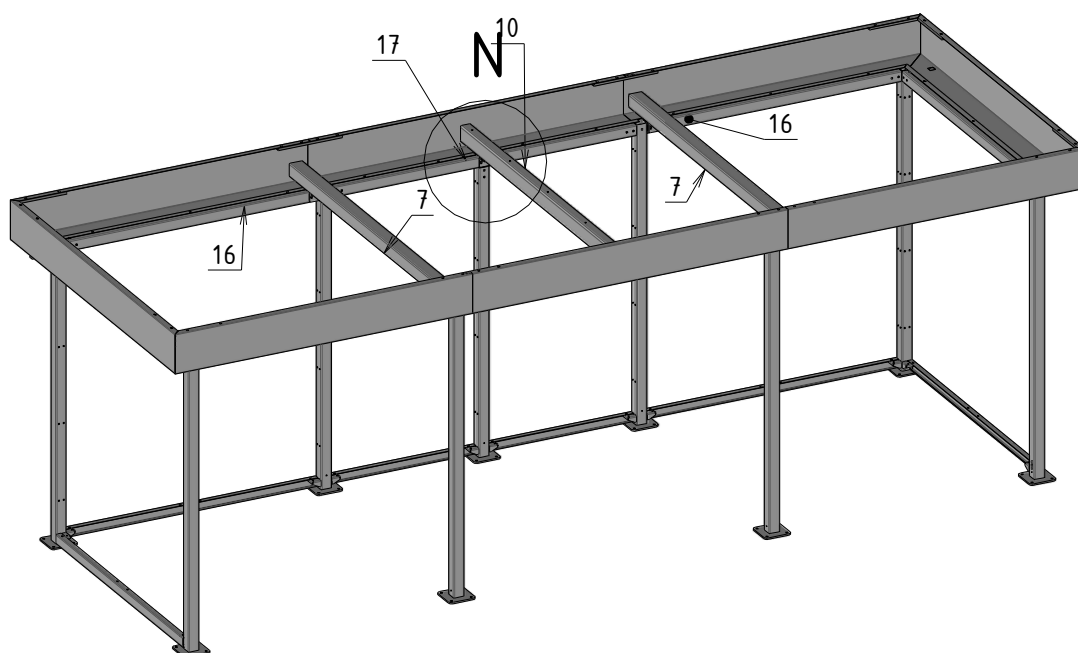


- Fasten the 8 headbands (items 8, 25, 26, 27 and 28) to the crosspieces (items 3, 16 and 17) using A2 H M6-25 notched screws

- Then attach the corner braces (items 11 and 12) to the corners of the 2 flaps (items) and between the central flaps (items 25, 26 and 28) using A2 CBHC M6-20 washer screws

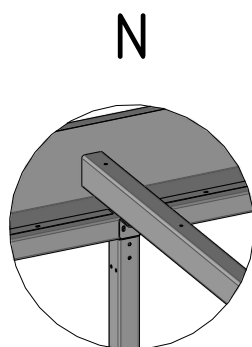


Step 5

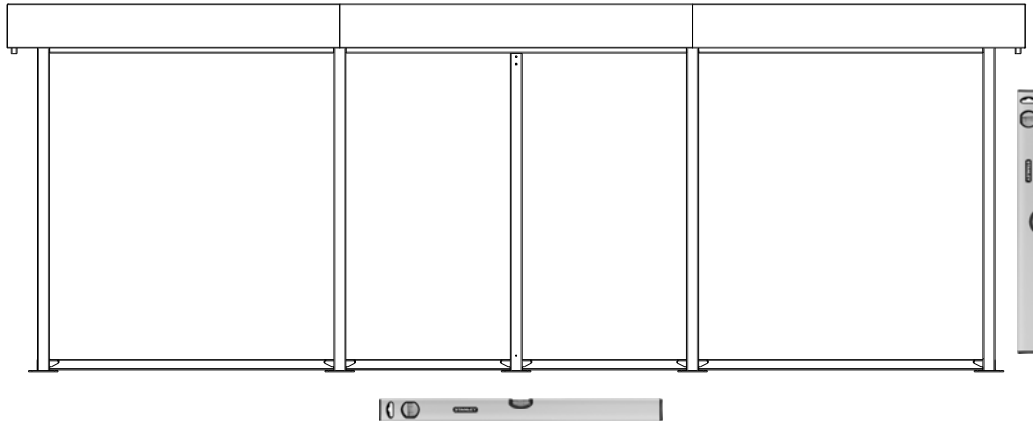


- Fasten the 2 intermediate cross-members (item 7) to the top cross-members (item 16 and 17) using A2 H M8-45 notched screws.

- Fasten the center cross-member (item 10) to the top cross-members (item 17) using A2 H M8-45 notched screws.

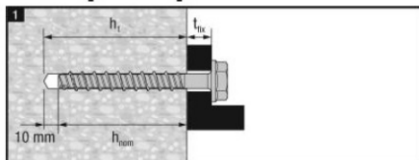


GROUND SEALING OF THE STRUCTURE

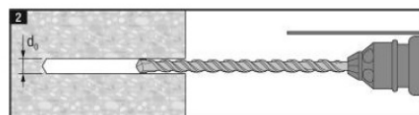


- level the structure longitudinally and transversely
- check diagonals
- clamp the assembly with H 6.3x25 self-drilling screws at the column feet (2 screws / foot)
- check that all structural screws are tight
- set in the ground :
 - in concrete floor, then anchor screws
 - if asphalt, then anchor with threaded rod + nuts + chemical resin.

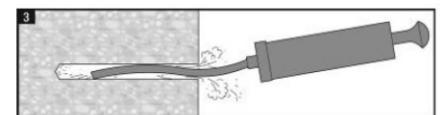
Principe de pose



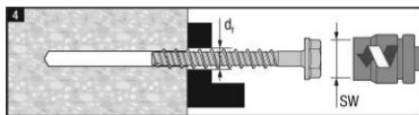
Sélectionner la cheville



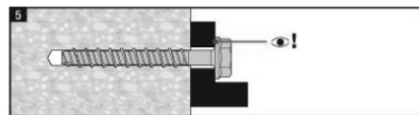
Percer le trou



Le dépoussiérer



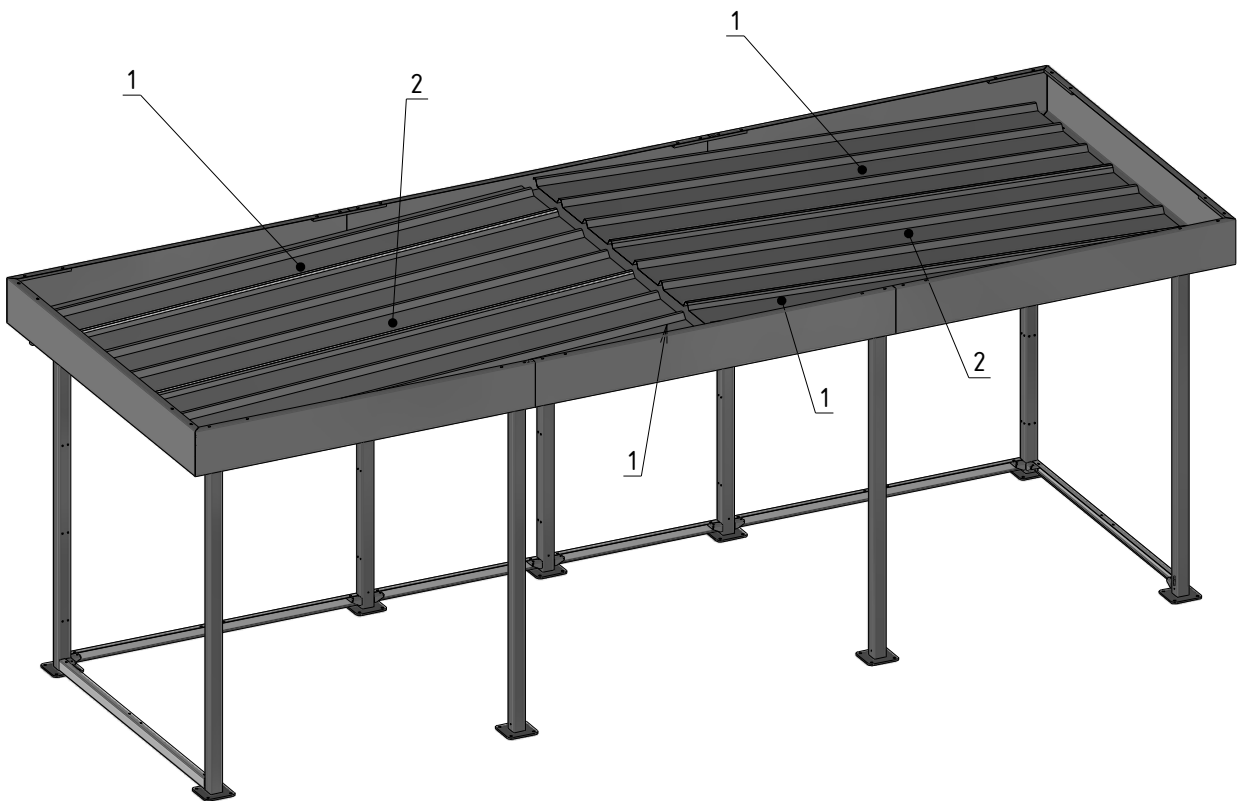
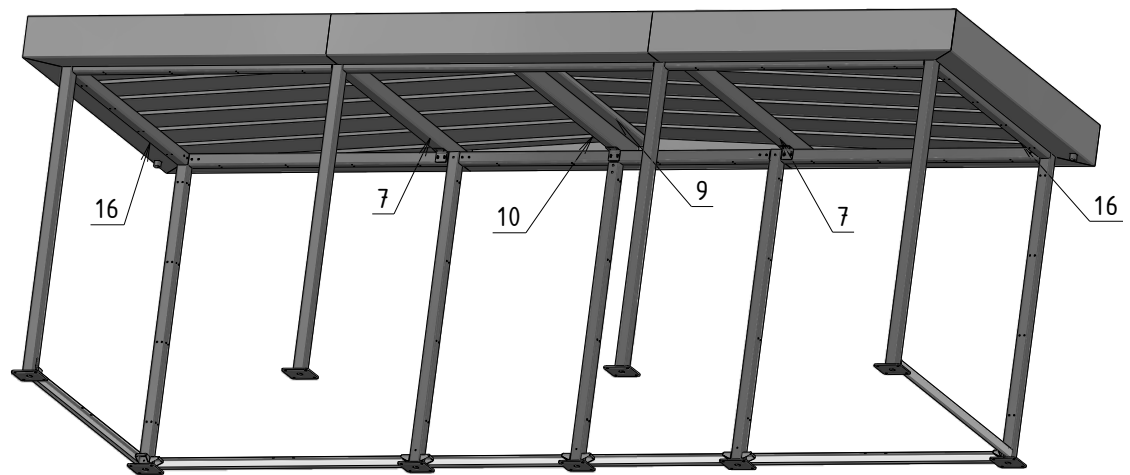
Visser la cheville avec l'outil recommandé



Vérifier la pose correcte

abriplus

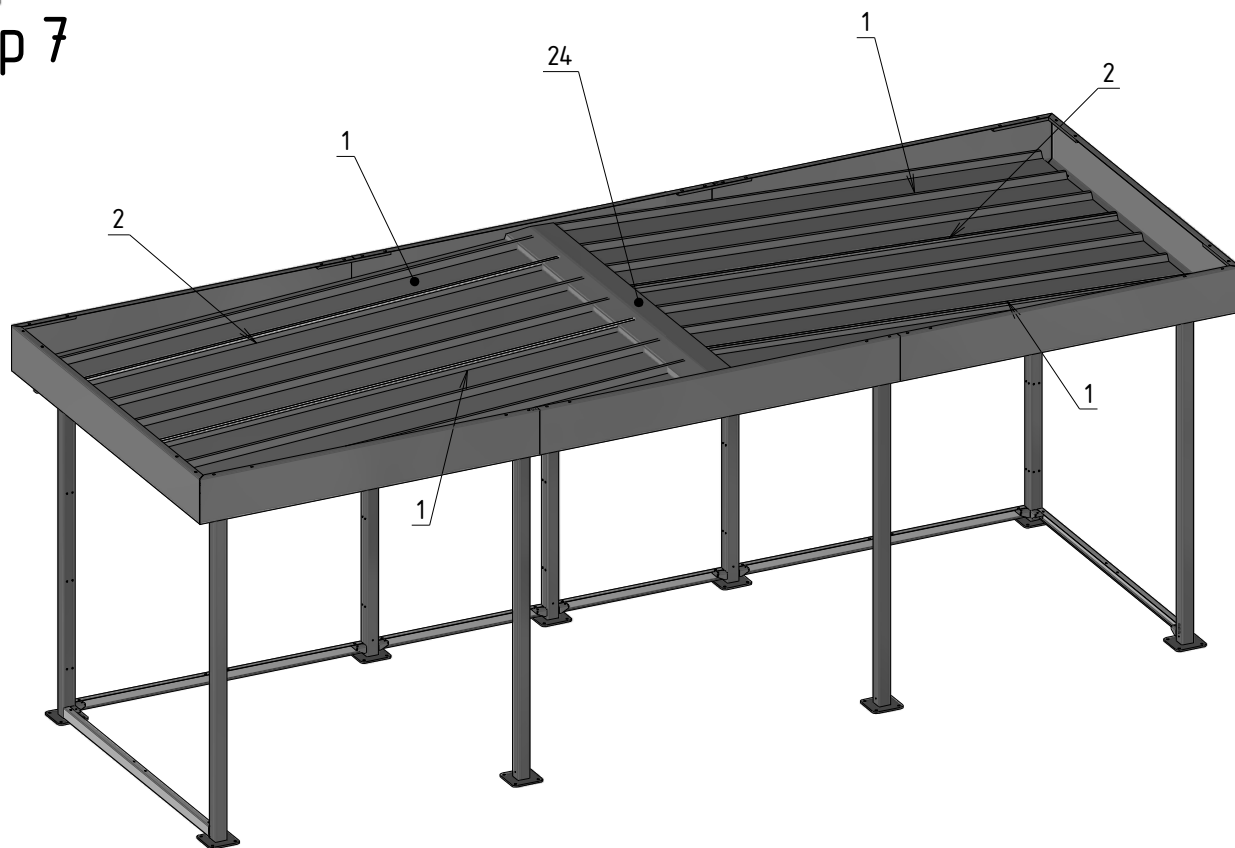
Step 6



- Fasten the ridge profile (item 9) to the central cross-member (item 10) using A2 H M8-25 notched screws and A2 L8 washers.
- Fasten the roofing sheets (item 1 and 2) to the top (item 16) and intermediate (item 7) cross-members using 32 ZN 6.3 x 70 screws, 32 bridges and 32 jumpers.
- Fasten roof sheets (item 1 and 2) to ridge profile (item 9) with 16 ZN 5.5 x 27 screws.

abriplus

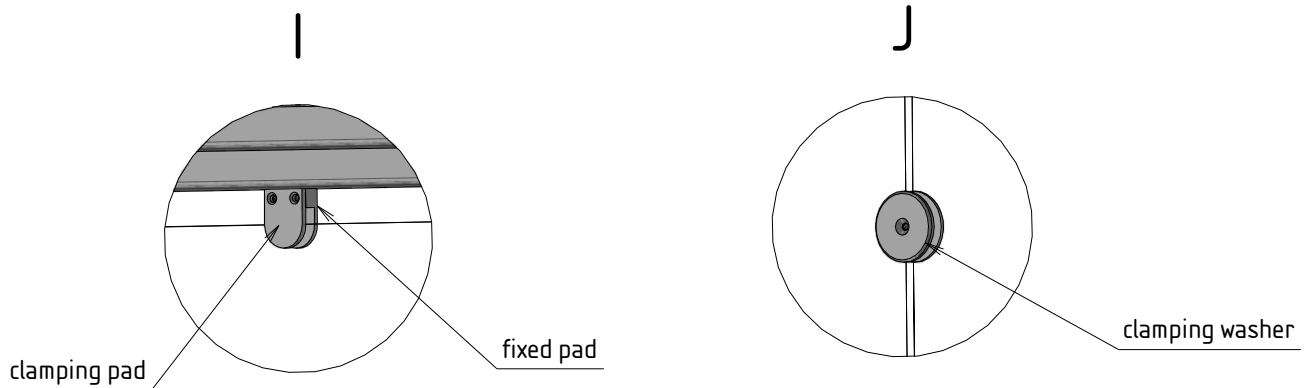
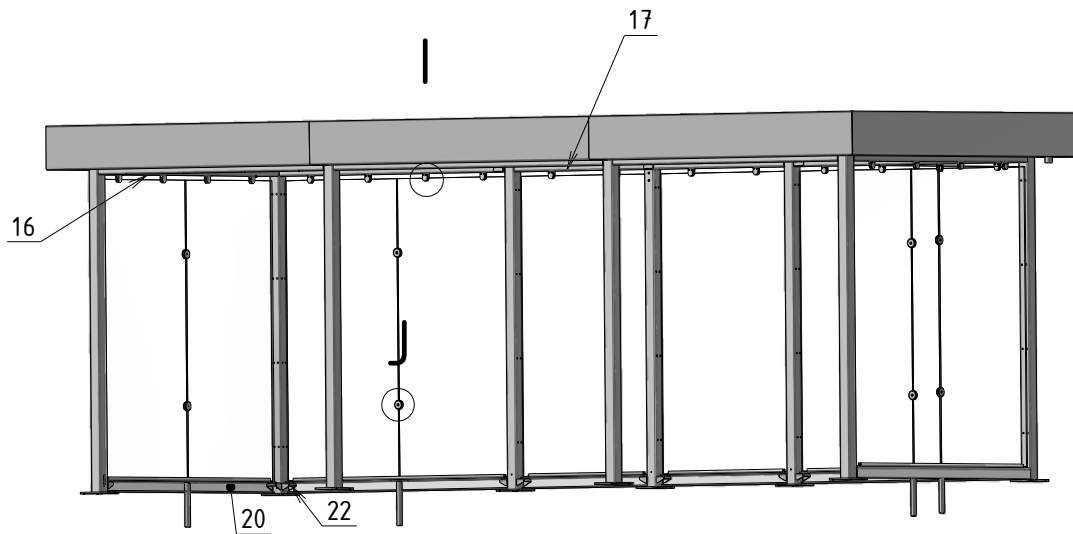
Step 7



- Fix the double ridge sheet (item 24) to the roof sheets (item 1 and 2) using 8 ZN 5.5x27 cladding screws. 1 screw every 2 waves.

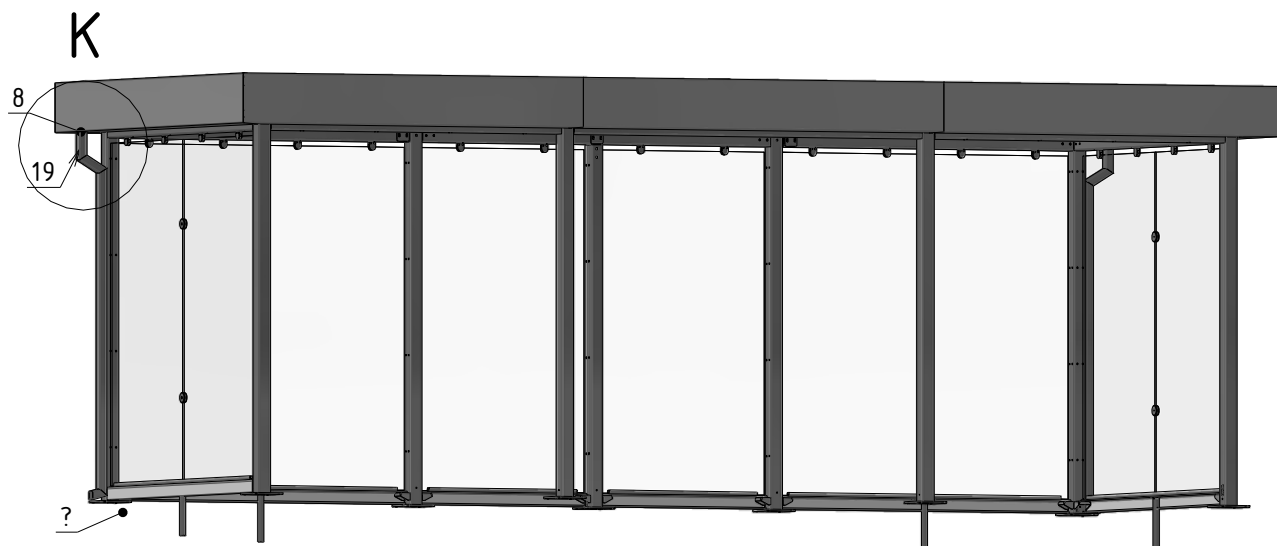
abriplus

Step 8



- Cut out the intermediate foot, then add the threaded plug and adjustable foot to the tube.
Fix the glass plate to the lower crosspiece (item 20) using A2 CBHC M6-20 screws with washers.
- Then fix the fixed blocks to the upper crosspieces (items 16 and 17) with M6-25 CHC screws.
- Then place the glass pane in the u support and position it between the 2 pavers, securing the assembly with FHC M6-16 screws.
- Add washers between the panes (2 washers between each pane) and tighten with FHC M6-20 screws.

Step 9



- Sleeve the EP downspouts (item 19) into the gutter sleeves (item 8) and fasten them to the posts (item 22) with TH 6.3 x 25 Marutex self-drilling screws.

