

127/PL 500SA



SEMI-AUTOMATIC BOLLARDS WITH GAS ACTUATOR

The semiautomatic bollard PILOMAT 127/PL 500SA with single gas actuator is designed and built with architectural appearance similar to that of the automatic PILOMAT bollards and therefore also allows the combined use of both versions. Current models are the result of the dedication of more than 40 years in the field of access control, and a twenty-year specialization in bollards.

GENERAL FEATURES

The Semiautomatic PILOMAT are used to define or prevent the stationing or transit of vehicles in pedestrian or private areas. Because of the procedure of parking, it is advised that the semi-automatic PILOMAT be used only if the amount of daily movements is limited.



PAG.1/3

PILOMAT s.r.l.
www.pilomat.com / pilomat@pilomat.com
Via Zanica 17/p, 24050, Grassobbio (BG) Italy
Tel. +39.035.29.72.20
Copyright 2016© Pilomat S.r.l. All rights reserved

127/PL500SA_DATASHEET.16 REVIEW 02/07/2016

OPTIONAL ITEMS

PILOMAT BOLLARD 127/PL 500SAFEV - NORMAL STEEL PAINTED

PILOMAT BOLLARD 127/PL 500SAIXV - STAINLESS STEEL PAINTED

PILOMAT BOLLARD 127/PL 500SAIXS - STAINLESS STEEL BRUSHED

PIT IN ALUZINC FOR PILOMAT 127/PL 500SA - COUNTERFRAME AND BRACKETS
ONE PIT FOR EACH BOLLARD

MULTILED FLASHING LIGHT- 1 LED POINT

HEAD WITHOUT LOGO FOR PILOMAT 127/PL 500SA

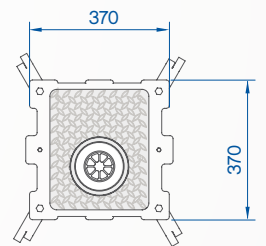
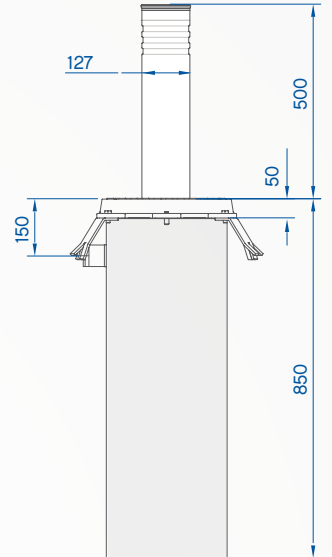
PAINTING WITH RAL COLOUR ON REQUEST

LOCK FOR TRIANGULAR KEY 11mm - 2 KEYS

LOCK FOR TRIANGULAR KEY 9mm - WITHOUT KEYS

KIT 5 TRIANGULAR KEYS 11mm FOR SEMIAUTOMATIC BOLLARDS

KIT 5 STANDARD KEYS FOR SEMIAUTOMATIC BOLLARDS



PILOMAT

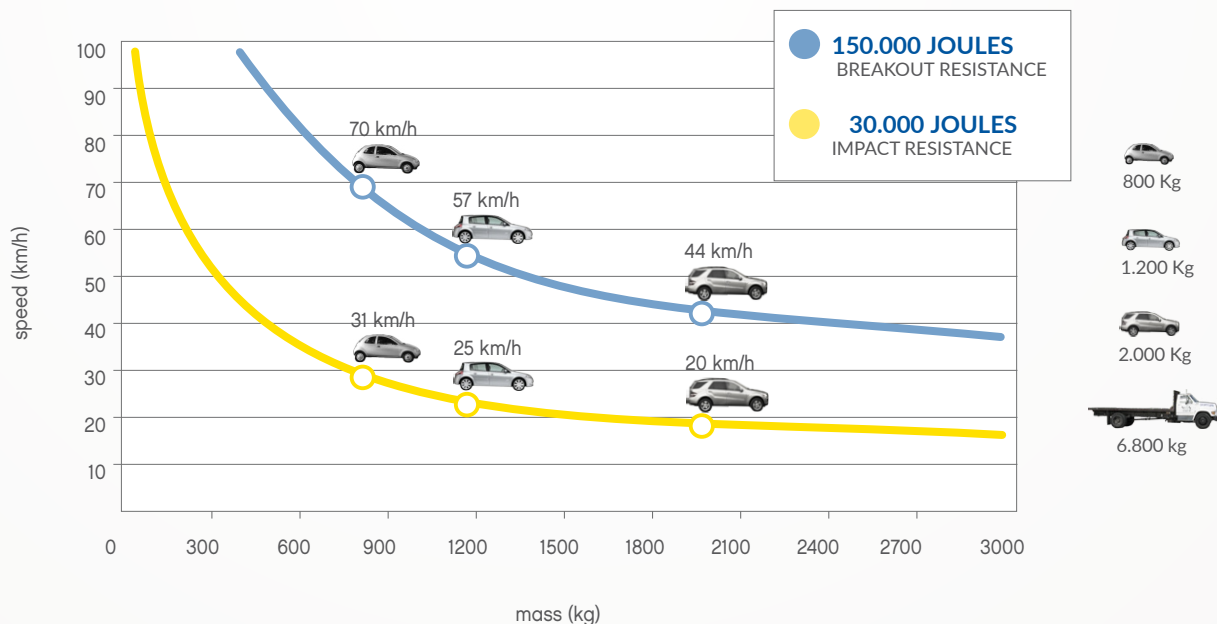
100% MADE IN ITALY



127/PL 500SA



MOVING CYLINDER	NORMAL STEEL FE370 - AISI 304 STAINLESS STEEL
MOVING CYLINDER DIAMETER	127mm
MOVING CYLINDER HEIGHT	500mm
MOVING CYLINDER NORMAL STEEL THICKNESS	6mm
MOVING CYLINDER STAINLESS STEEL THICKNESS	6mm
MOVING CYLINDER NORMAL STEEL FINISH	POLYESTER POWDER PAINT - STANDARD GREY ANTHRACITE
MOVING CYLINDER STAINLESS STEEL FINISH	AS ABOVE OR BRUSHED
REFLECTING ADHESIVE STRIP	YES - HEIGHT 23mm
RISING SPEED	20cm/s
LOWERING SPEED	MANUAL
CONNECTION LINE TO CONTROL UNIT	STANDARD 10m (MAX. LENGTH 80m)
PROTECTION CLASS	IP67
IMPACT RESISTANCE (WITHOUT DEFORMATION)	30.000 J
BREAKOUT RESISTANCE	150.000 J
OPERATING TEMPERATURE	-40 °C +60 °C



100% MADE IN ITALY

PILOMAT s.r.l.
 www.pilomat.com / pilomat@pilomat.com
 Via Zanica 17/p, 24050, Grassobbio (BG) Italy
 Tel. +39.035.29.72.20
 Copyright 2016© Pilomat S.r.l. All rights reserved