

275/EM 600A

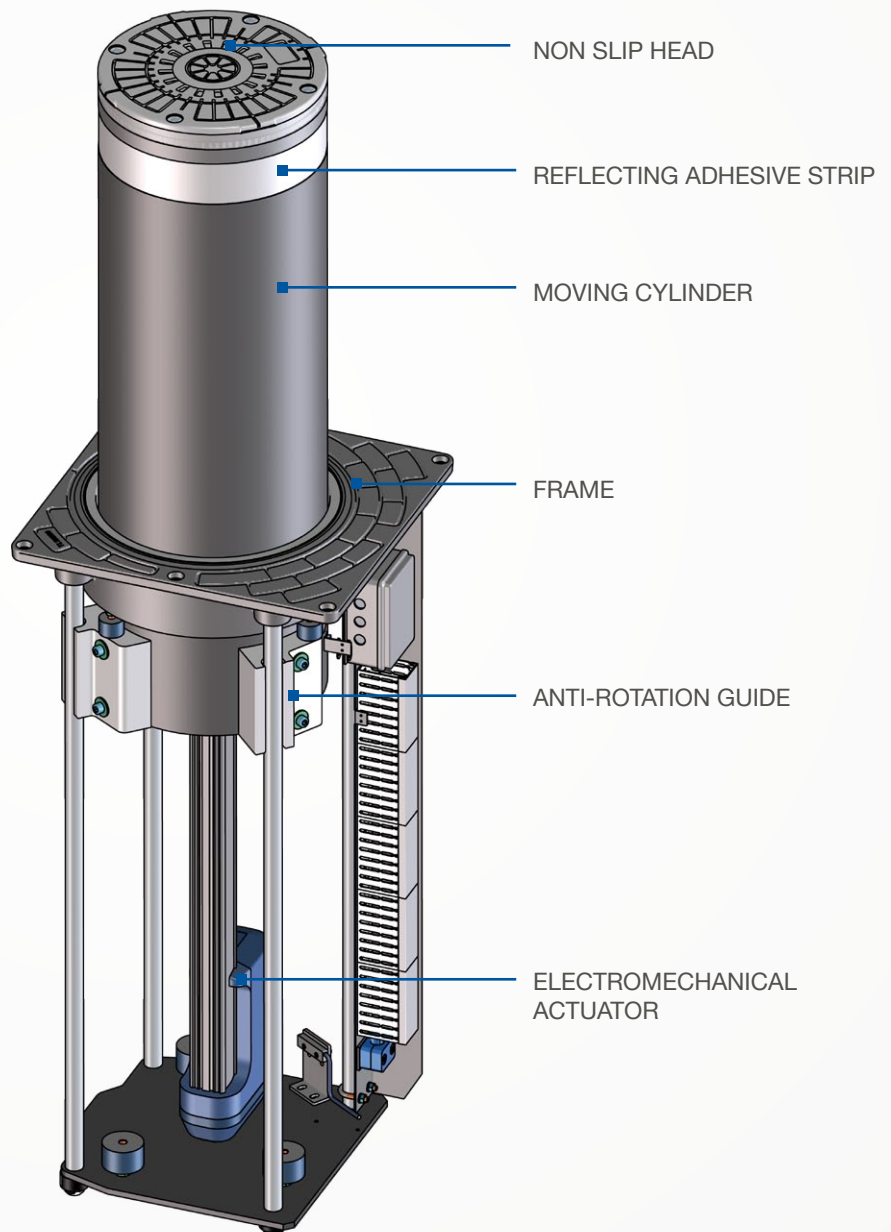


ELECTROMECHANICAL BOLLARDS

PILOMAT 275/EM 600A are automatic electromechanical bollards designed by the Pilomat staff, who has worked in the retractable technologies industry since more than 20 years.

The installation of 275/EM 600A bollard is recommended for the management of: pedestrian areas, private parkings, business parkings, private driveways, business driveways, commercial driveways.

Customize your system with the several optionals available to obtain the most effective solution.



PAG.1/3

PILOMAT

100% MADE IN ITALY



PILOMAT s.r.l.
www.pilomat.com / pilomat@pilomat.com
Via Zanica 17/p, 24050, Grassobbio (BG) Italy
Tel. +39.035.29.72.20
Copyright 2015© Pilomat S.r.l. All rights reserved

275/EM 600A_DATASHEET.16 REVIEW 07/03/2016

OPTIONAL ITEMS

PILOMAT BOLLARD EM2760 FEV - NORMAL STEEL PAINTED
STANDARD HEAD (WITHOUT MULTILED FLASHING LIGHTS 25 LED POINTS)

PILOMAT BOLLARD EM2760 IXS - STAINLESS STEEL BRUSHED AISI 304
STANDARD HEAD (WITHOUT MULTILED FLASHING LIGHTS 25 LED POINTS)

KIT HEAD WITH MULTILED FLASHING LIGHT 25 LED POINTS
ONE KIT FOR EACH BOLLARD

KIT ACOUSTIC ALARM
ATTENTION: AVAILABLE ONLY FOR HEAD WITH MULTILED FLASHING LIGHT TM0230052
ONE KIT FOR EACH BOLLARD

KIT MAGNETIC CONTACT FOR TRAFFIC LIGHT
ONE KIT FOR EACH BOLLARD

ADHESIVE REFLECTING STRIP - WHITE (NO LOGO)

PIT FOR PILOMAT BOLLARD EM2760 - COUNTERFRAME AND BRACKET

CONTROL UNIT FOR PILOMAT BOLLARDS
BASIC CONFIGURATION FOR 1 BOLLARD
MAX. 3 BOLLARDS BY ADDING SLAVE CIRCUITS TM0230061

SLAVE CIRCUIT FOR CONTROL UNIT
2 CIRCUITS MAXIMUM - 1 FOR EACH ADDITIONAL BOLLARDS

KIT WITH 2 RECHARGEABLE ACCUMULATORS 12V 7AH
FOR TEMPORARY OPERATION IN CASE OF POWER FAILURE 230V
ONE KIT FOR EACH CONTROL UNIT

REMOTE RADIO RECEIVER TO PLUG

DUAL-BAND RADIO TRANSMITTER

TRAFFIC LIGHT WITH TWO LIGHTS (RED - GREEN)

INDUCTIVE DETECTOR FOR TWO INDUCTIVE LOOPS

INDUCTIVE LOOP - DIMENSION 9,60m - LINE 10m

INDUCTIVE LOOP - DIMENSION 9,60m - LINE 20m

KIT HEATING RESISTANCE 24V 80W FOR BOLLARD EM2760
ONE KIT FOR EACH BOLLARD

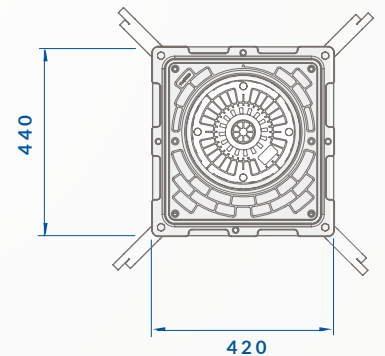
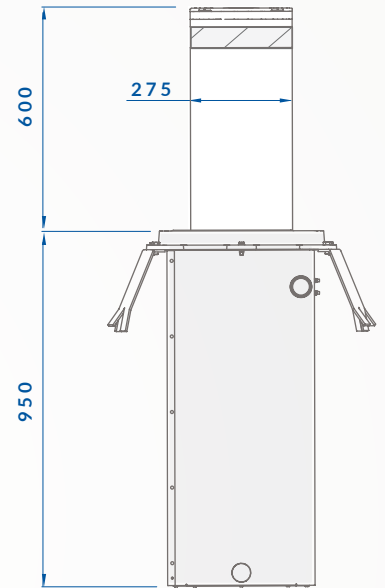
KIT THERMOSTAT FOR HEATING RESISTANCE
ONE KIT FOR EACH BOLLARD

TRANSFORMER 230V/24V 100W FOR 1 HEATING RESISTANCE

TRANSFORMER 230V/24V 200W FOR 2 HEATING RESISTANCES

TRANSFORMER 230V/24V 300W FOR 3 HEATING RESISTANCES

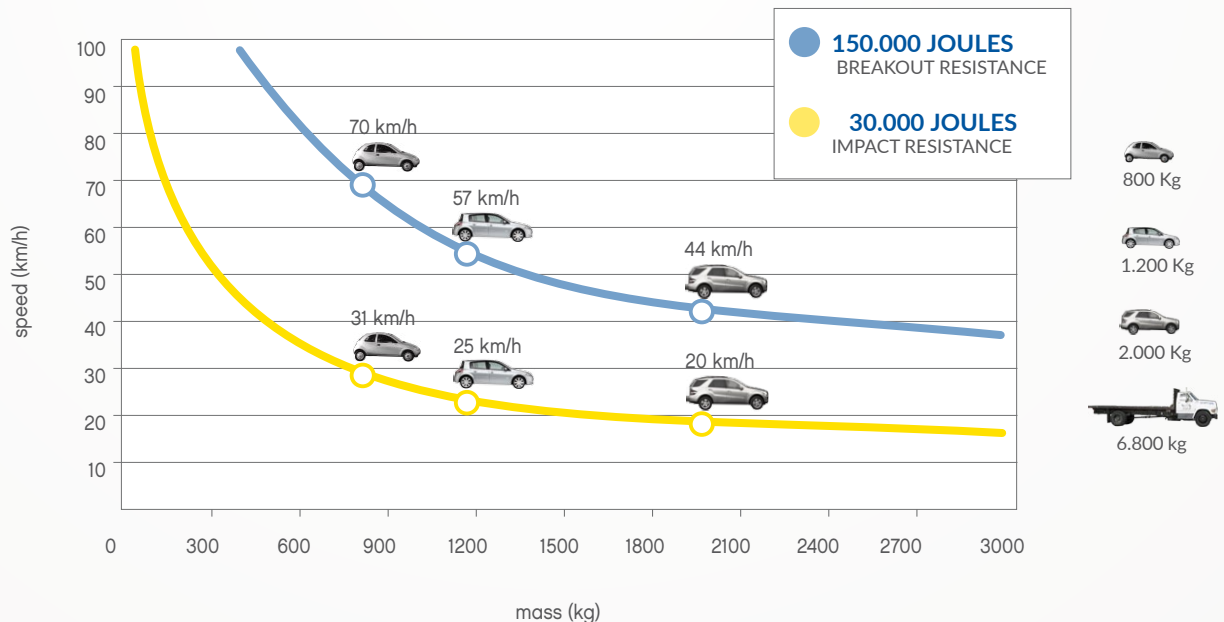
KIT PHOTOVOLTAIC CIRCUIT - OPERATION OF THE BOLLARD SYSTEM WITHOUT POWER SUPPLY 230V



275/EM 600A



MOVING CYLINDER	NORMAL STEEL FE 370 - STAINLESS STEEL AISI 304
MOVING CYLINDER DIAMETER	275mm
MOVING CYLINDER HEIGHT	600mm
MOVING CYLINDER THICKNESS	4mm
FINISH OF THE MOVING CYLINDER - NORMAL STEEL	POLYESTER POWDER PAINT - STANDARD GREY ANTHRACITE
FINISH OF THE MOVING CYLINDER - STAINLESS STEEL	BRUSHED
REFLECTING ADHESIVE STRIP	INCLUDED IN THE SUPPLY - HEIGHT 55mm
RISING SPEED	12cm/s
LOWERING SPEED	12cm/s
EMERGENCY LOWERING IF POWER FAILED	OPTIONAL (WITH ADDITIONAL ACCUMULATOR ART. TM023.0072)
SAFETY REVERSAL PRESSURE SWITCH	INCLUDED IN THE SUPPLY
CONNECTION LINE TO CONTROL UNIT	10m INCLUDED IN THE SUPPLY - MAXIMUM LENGTH 20m (in case of lengths greater than 10m or in presence of additional kit, the line must be replaced by the installer according to our specifications).
VOLTAGE FOR CONTROL UNIT	230Vac (+/- 10%) 50/60Hz
ELECTROMECHANICAL MOTOR	BUILT-IN THE BOLLARD
POWER CONSUMPTION ELECTROMECHANICAL MOTOR	140W (MAX. 250W) - 0,6A (MAX. 1,1A)
PROTECTION CLASS	IP 67
TYPE OF USE	100 MOVEMENTS/DAY - LIFE AVERAGE 200.000 MOVEMENTS
IMPACT RESISTANCE (WITHOUT DEFORMATION)	30.000 J
BREAKOUT RESISTANCE	150.000 J
OPERATING TEMPERATURE	-20°C +60°C (FOR LOW TEMPERATURES SEE HEATING RESISTANCE)
CONTROL UNIT	Art. TM0230070 - MAX. 3 BOLLARDS



100% MADE IN ITALY

PILOMAT s.r.l.
 www.pilomat.com / pilomat@pilomat.com
 Via Zanica 17/p, 24050, Grassobbio (BG) Italy
 Tel. +39.035.29.72.20
 Copyright 2015© Pilomat S.r.l. All rights reserved