

# 275/K4 700A



## AUTOMATIC HYDRAULIC ANTI-TERRORISM BOLLARD WITH BUILT-IN PUMP

The PILOMAT 275/K4 700A automatic bollards have been designed to ensure the anti-terrorist defence. Current models are the result of the dedication of more than 40 years in the field of access control, and a twenty-year specialization in bollards.

The installation of 275/K4 700A bollard is recommended for the management of: Company driveways, Industrial driveways, Research Centres, Embassies, Police headquarters, Military bases, Ministerial buildings and sensitive sites.

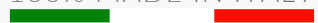
Customize your system with the several optionals available to obtain the most effective solution.



PAG.1/3

**PILOMAT**

100% MADE IN ITALY



PILOMAT s.r.l.  
www.pilomat.com / pilomat@pilomat.com  
Via Zanica 17/p, 24050, Grassobbio (BG) Italy  
Tel. +39.035.29.72.20  
Copyright 2016© Pilomat S.r.l. All rights reserved

275/K4 700A\_DATASHEET.16 REVIEW 03/05/2016

## OPTIONAL ITEMS

PILOMAT BOLLARD 275/K4 700AFEV - NORMAL STEEL PAINTED

PILOMAT BOLLARD 275/K4 700AIXS - STAINLESS STEEL BRUSHED

PIT IN ALUZINC FOR PILOMAT 275/K4 700A - COUNTERFRAME  
ONE PIT FOR EACH BOLLARD

KIT REBARS FOR PIT 275/K4 700  
ONE KIT FOR EACH PIT

CONTROL UNIT FOR PILOMAT 275/K4 700A

MULTILED FLASHING LIGHT- 27 LED POINTS

E.F.O. CIRCUIT FOR EMERGENCY RISING (ABOUT 1")

BUZZER ACOUSTIC SIGNAL FOR AUTOMATIC BOLLARDS

REFLECTING ADHESIVE STRIP - WHITE (NO-LOGO)

HEAD WITHOUT LOGO FOR PILOMAT 275/K4 700A

PAINTING WITH RAL COLOUR ON REQUEST

COVERING IN AISI 316 STAINLESS STEEL FOR MOVING CYLINDER

BIODEGRADABLE FUCHS OIL FOR HYDRAULIC PUMP

HEATING RESISTANCE FOR PILOMAT BOLLARDS - TRANSFORMER AND THERMOSTAT  
ONE RESISTANCE FOR EACH BOLLARD

RADIO RECEIVER

RADIO TRANSMITTER TWO-CHANNEL

TRAFFIC LIGHT WITH TWO LIGHTS (GREEN-RED)

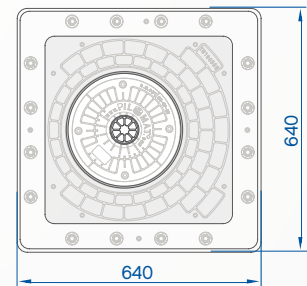
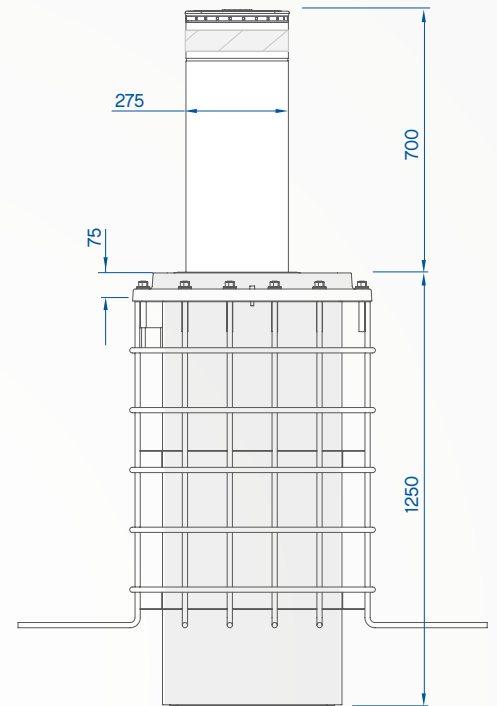
INDUCTIVE DETECTOR FOR LOOPS

INDUCTIVE LOOP - DIMENSION: 7,60m - 9,60m - 12,60m - LINE: 15m AND 30m

TIMER PROGRAMMER

INDUCTIVE CARD READER

LOCK SELECTOR



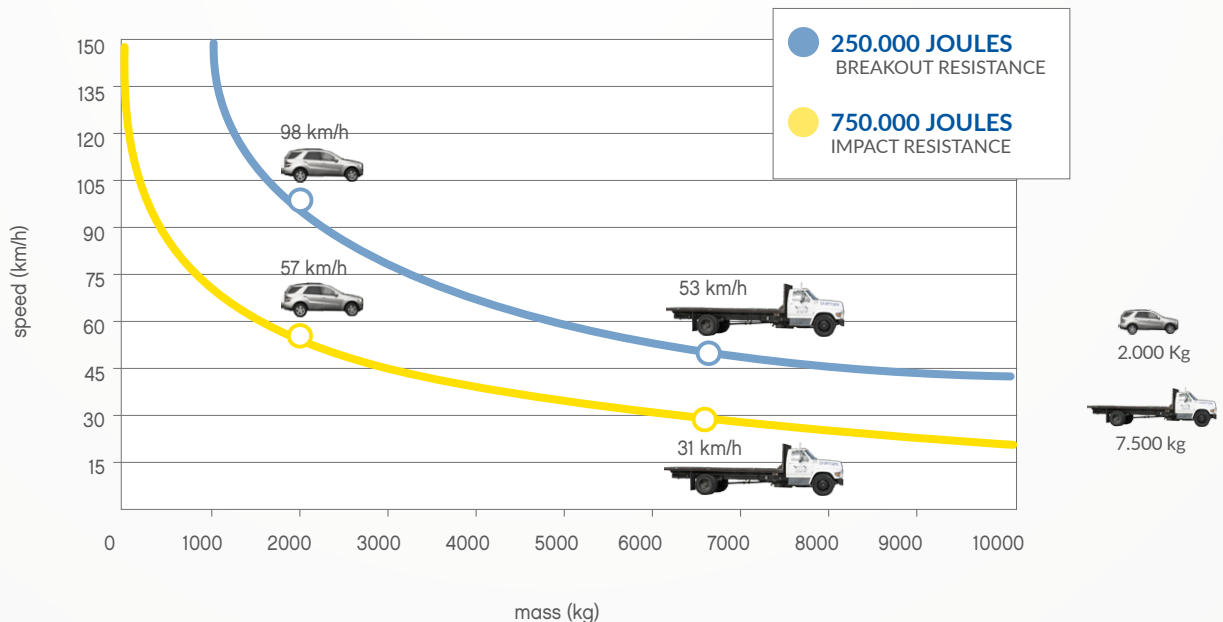
**PILOMAT**

100% MADE IN ITALY

# 275/K4 700A



MOVING CYLINDER	NORMAL STEEL FE510 - AISI 304 STAINLESS STEEL
MOVING CYLINDER DIAMETER	275mm
MOVING CYLINDER HEIGHT	700mm
MOVING CYLINDER THICKNESS	10mm
MOVING CYLINDER NORMAL STEEL FINISH	POLYESTER POWDER PAINT - STANDARD GREY ANTHRACITE
MOVING CYLINDER STAINLESS STEEL FINISH	BRUSHED - AISI 316 STAINLESS STEEL BRUSHED COVERING
OTHER MOVING CYLINDER FINISH	RIBS ON CYLINDER SURFACE
REFLECTING ADHESIVE STRIP	YES - HEIGHT 55mm
RISING SPEED	10cm/s
LOWERING SPEED	25cm/s
MANUAL EMERGENCY LOWERING	YES
CONNECTION LINE TO CONTROL UNIT	STANDARD 10m (MAX. LENGTH 80m - WITH HEATING RESISTANCE MAX. 50m)
VOLTAGE FOR CONTROL UNIT	230VAC (+/- 10%) 50/60HZ
HYDRAULIC PUMP	BUILT-IN THE BOLLARD
PROTECTION CLASS	IP67
TYPE OF USE	INTENSIVE - LIFE AVERAGE 3.000.000 MOVEMENTS - 2000 MOVIMENTS/DAY
IMPACT RESISTANCE (WITHOUT DEFORMATION)	250.000 J
BREAKOUT RESISTANCE	750.000 J
OPERATING TEMPERATURE	-40 °C +70 °C (FOR LOW TEMPERATURES SEE HEATING RESISTANCE)



100% MADE IN ITALY

PILOMAT s.r.l.  
[www.pilomat.com](http://www.pilomat.com) / [pilomat@pilomat.com](mailto:pilomat@pilomat.com)  
 Via Zanica 17/p, 24050, Grassobbio (BG) Italy  
 Tel. +39.035.29.72.20  
 Copyright 2016© Pilomat S.r.l. All rights reserved