

275/P10 800A



HYDRAULIC BOLLARD WITH BUILT-IN PUMP

PILOMAT 275/P10 800A is a variant of PILOMAT P SERIES, which has the same general features, but the cylinder is thicker in order to increase the resistance of breakage. It is typically used in business and industry, combined with the classical gates in order to improve the level of passive safety, preventing theft of vehicles and its cargo inside the area.



PAG.1/3

PILOMAT

100% MADE IN ITALY

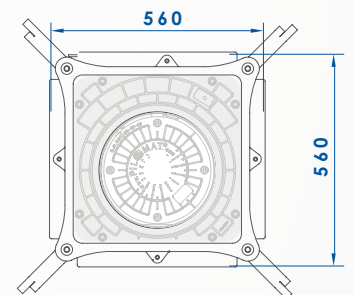
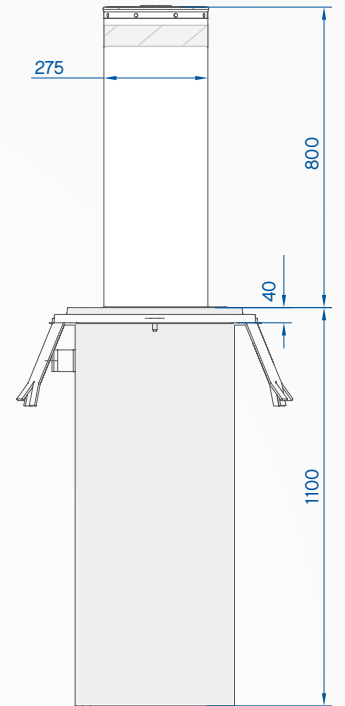
PILOMAT s.r.l.
www.pilomat.com / pilomat@pilomat.com
Via Zanica 17/p, 24050, Grassobbio (BG) Italy
Tel. +39.035.29.72.20
Copyright 2016© Pilomat S.r.l. All rights reserved

275/P10800A_DATASHEET.16 REVIEW 10/05/2016

Information in this document is for information only. In pursuit of its policy of continuous refinement and improvement, Pilomat reserves the right to amend this information at any time and without prior notice. Actual product may differ from images shown

OPTIONAL ITEMS

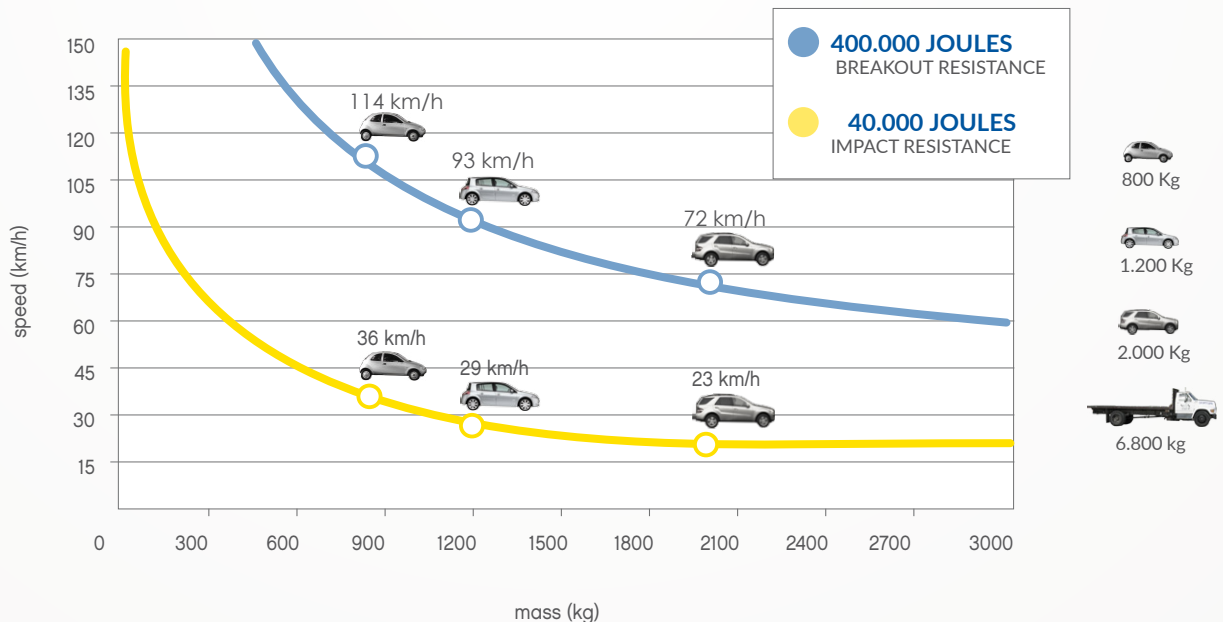
PILOMAT BOLLARD 275/P10 800AIXV - NORMAL STEEL PAINTED
PILOMAT BOLLARD 275/P10 800AIXS - STAINLESS STEEL BRUSHED
PIT IN ALUZINC FOR PILOMAT 275/P10 800A - COUNTERFRAME AND BRACKETS ONE PIT FOR EACH BOLLARD
CONTROL UNIT FOR PILOMAT 275/P10 800A
MULTILED FLASHING LIGHT- 27 LED POINTS
BUZZER ACOUSTIC SIGNAL FOR AUTOMATIC BOLLARDS
REFLECTING ADHESIVE STRIP - WHITE (NO-LOGO)
HEAD WITHOUT LOGO FOR PILOMAT 275/P10 800A
PAINTING WITH RAL COLOUR ON REQUEST
BIODEGRADABLE FUCHS OIL FOR HYDRAULIC PUMP
HEATING RESISTANCE FOR PILOMAT BOLLARDS - TRANSFORMER AND THERMOSTAT ONE RESISTANCE FOR EACH BOLLARD
RADIO RECEIVER
RADIO TRANSMITTER TWO-CHANNEL
TRAFFIC LIGHT WITH TWO LIGHTS (GREEN-RED)
INDUCTIVE DETECTOR FOR LOOPS
INDUCTIVE LOOP - DIMENSION: 7,60m - 9,60m - 12,60m - LINE: 15m AND 30m
TIMER PROGRAMMER
INDUCTIVE CARD READER
LOCK SELECTOR



275/P10 800A



MOVING CYLINDER	NORMAL STEEL FE370 - AISI 304 STAINLESS STEEL
MOVING CYLINDER DIAMETER	275mm
MOVING CYLINDER HEIGHT	800mm
MOVING CYLINDER THICKNESS	10mm
MOVING CYLINDER NORMAL STEEL FINISH	POLYESTER POWDER PAINT - STANDARD GREY ANTHRACITE
MOVING CYLINDER STAINLESS STEEL FINISH	BRUSHED
OTHER MOVING CYLINDER FINISH	RIBS ON CYLINDER'S SURFACE
REFLECTING ADHESIVE STRIP	YES - HEIGHT 55mm
RISING SPEED	15cm/s
LOWERING SPEED	25cm/s
MANUAL EMERGENCY LOWERING	YES (ALSO FOR VERSION WITH AUTOMATIC LOWERING IF POWER FAILED)
SAFETY REVERSAL PRESSURE SWITCH	YES
CONNECTION LINE TO CONTROL UNIT	STANDARD 10m (MAX. LENGTH 80m - WITH HEATING RESISTANCE MAX. 50m)
VOLTAGE FOR CONTROL UNIT	230Vac (+/- 10%) 50/60Hz
HYDRAULIC PUMP	BUILT-IN THE BOLLARD
PROTECTION CLASS	IP67
TYPE OF USE	INTENSIVE - LIFE AVERAGE 3.000.000 MOVEMENTS - 2000 MOVEMENTS/DAY
IMPACT RESISTANCE (WITHOUT DEFORMATION)	40.000 J
BREAKOUT RESISTANCE	400.000 J
OPERATING TEMPERATURE	-40 °C +70 °C (FOR LOW TEMPERATURES SEE HEATING RESISTANCE)



100% MADE IN ITALY

PILOMAT s.r.l.
 www.pilomat.com / pilomat@pilomat.com
 Via Zanica 17/p, 24050, Grassobbio (BG) Italy
 Tel. +39.035.29.72.20
 Copyright 2016© Pilomat S.r.l. All rights reserved